

5200 3130	DATA SHEET	
Valid from: 08.05.2018	SILVYN[®] SCH	

The SILVYN[®] SCH is a multi-range hose clamp, with worm drive.
The hose clamp is suitable for applications with higher mechanical stress.



Material:

Body	Stainless steel, blanc
Screw	Steel, zinc plated
Band	Stainless steel, blanc

Technical Features:

Screw	Worm drive with cross recess and width across flats 7
Clamping range	10 up to 60mm

Additional features:

Resistant to corrosion

Reference standards:

DIN 3017-1

Suitable conduit gland:

SILVYN[®] SSV
SILVYN[®] SSV-M
SILVYN[®] SSVZ
SILVYN[®] SSVZ-M

Suitable conduits:

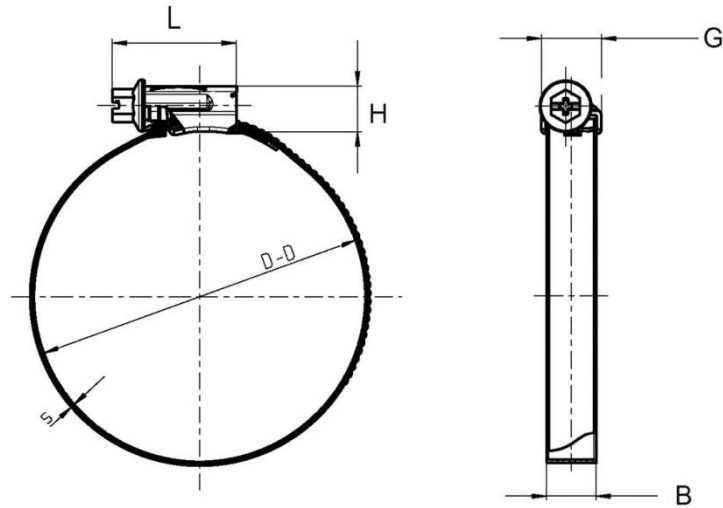
SILVYN[®] SI
SILVYN[®] SP
SILVYN[®] SP-PU

For more information please see our current catalogue. Please do not hesitate to contact our laboratory if there are any questions regarding resistance against aggressive agents and special oil.

Creator: MAU1/PDP Released: DAMU1/PDP	Document: DB52003130EN Version: 01	Page 1 of 2
--	---------------------------------------	-------------

5200 3130	DATA SHEET	
Valid from: 08.05.2018	SILVYN® SCH	

Product drawing:



Dimension table:

Part No.	Clamping range D-D mm	Belt thickness S mm	Belt range B mm	Body length L mm	Body high H mm	Body width G mm
5200 3130	10 - 16	0,6	7,5	17,0	9,0	11,5
5200 3140	12 - 20	0,65	9,0	24,0	11,0	13,0
5200 3160	16 - 25	0,65	9,0	24,0	11,0	13,0
5200 3170	20 - 32	0,65	9,0	24,0	11,0	13,0
5200 9050	25 - 40	0,65	9,0	26,0	11,0	13,0
5200 9061	35 - 50	0,8	12,0	30,0	11,0	14,6
5200 9040	40 - 60	0,8	12,0	30,0	11,0	14,6