

5202 1070	DATA SHEET	
Valid from: 08.05.2018	SILVYN® SSVZ	

By the SILVYN® SSVZ bargain it a conduit clamp gland which is made of nickel plated brass, with cable strain relief and cable sealing. By the special bosh lugs is a simply assembling and strain relief of the conduit warranted.
For an additional protection the conduit can combined with a clamp SILVYN® SCH.



Material:

Body	Brass, nickel plated
Sealing	NBR
O-Ring	CR

Technical Features:

Connecting thread	PG 9 up to PG48 acc. to DIN 40430
Nominal wide	NW 14 up to NW 56
Protection class	IP54 and IP68 acc. to EN 60529
Temperature range	Depending on the used conduit -20°C up to +80°C

Approbation:



Reference standards:

EN 61386-1

Suitable conduits:

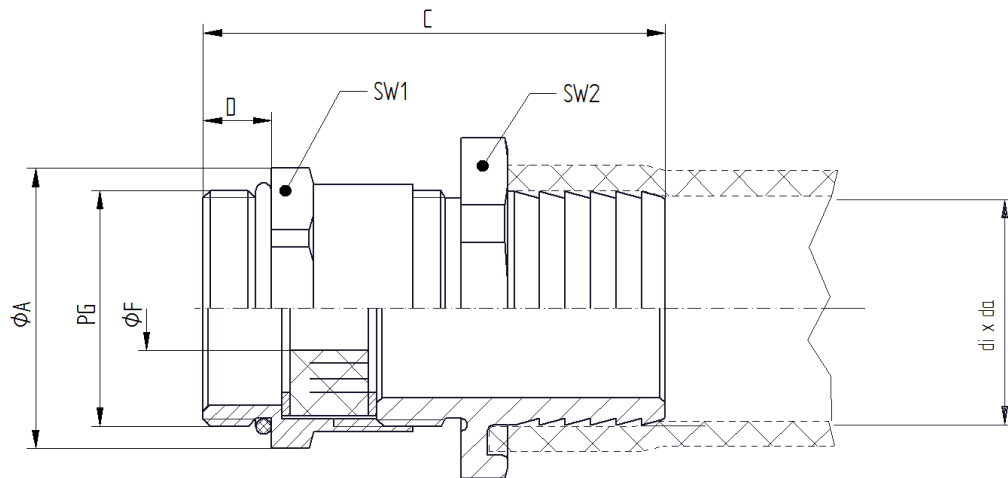
SILVYN® SI
SILVYN® SP
SILVYN® SP-PU

For more information please see our current catalogue. Please do not hesitate to contact our laboratory if there are any questions regarding resistance against aggressive agents and special oil.

Creator: MAU1/PDP Released: DAMU1/PDP	Document: DB52021070EN Version: 01	Page 1 of 2
--	---------------------------------------	-------------

5202 1070	DATA SHEET	
Valid from: 08.05.2018	SILVYN® SSVZ	

Product drawing:



Dimension table:

Part No.	di x da	Thread PG	D mm	C mm	ØF mm	ØA	SW1	SW2
5202 1070	10 x 14	PG 9	6,0	39,1	5 / 8	19,0	17	19
5202 1080	12 x 16	PG 9	6,0	39,1	5 / 8	19,0	17	19
5202 3020	14 x 18	PG 11	6,0	39,6	7 / 10 / 12,5	22,2	20	22
5202 4670	16 x 20	PG 11	6,0	39,6	7 / 10 / 12,5	22,2	20	22
5200 3030	18 x 23	PG 13,5	6,5	43,1	7 / 10,5 / 13 / 16	24,4	22	25
5200 3040	22 x 27	PG 16	6,5	44,1	8 / 10,5 / 13,5 / 16	26,7	24	30
5200 3050	23 x 28	PG 21	7,0	48,1	11 / 15 / 18 / 20	33,5	30	32
5200 3060	30 x 36	PG 29	8,0	53,6	18 / 23 / 27 / 31	43,5	40	40
5202 4680	32 x 38	PG 29	8,0	53,6	18 / 23 / 27 / 31	43,5	40	42
5201 4000	38 x 44	PG 36	9,0	61,6	24 / 28 / 31 / 35	54,0	50	52
5201 4010	45 x 51	PG 42	10,0	68,6	30 / 35,5 / 39 / 42,5	61,0	57	57
5201 4020	50 x 56	PG 48	10,0	71,6	36 / 40 / 44 / 47 / 50,5	69,0	64	64