

52000210	DATA SHEET	
Valid from: 03.07.2018	SKINDICHT® SVRN	

The SKINDICHT® SVRN a metal cable gland in accordance to DIN 46320 for general use with hexagonal center section, which facilitates rapid assembly by means of a spanner.



Components:

Gland body	Brass, nickel-plated
Pressure screw	Brass, nickel-plated
Pressure washers	Steel, zinc-plated
Sealing ring	CR

Technical features:

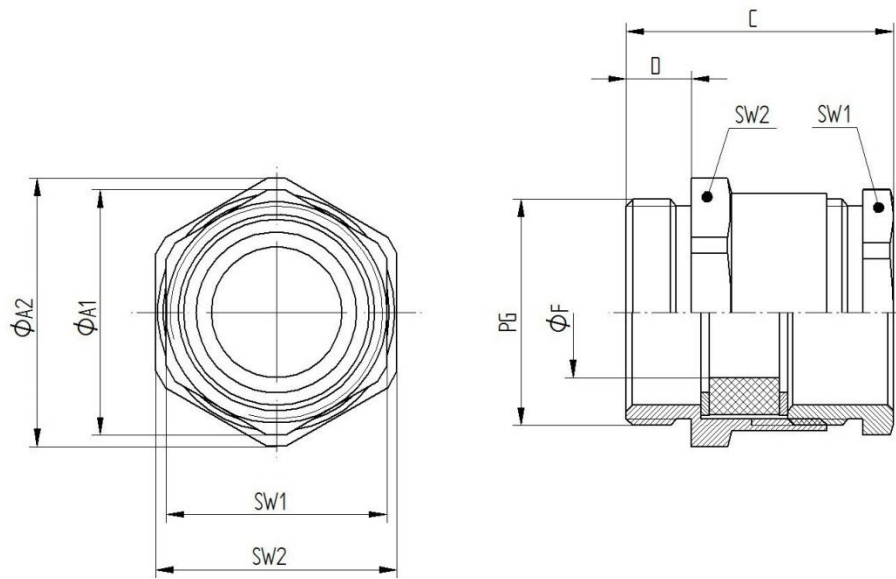
Connecting thread	PG7 up to PG48 acc. to DIN 40430
Protection class	IP54 acc. to EN 60529
Temperature range	-20 °C up to +100 °C

Norm references:



Creator: V. Charcenko /PDP Released: DAMU1/PDP	Document: DB52000210EN Version: 04	Page 1 of 2
---	---------------------------------------	-------------

52000210	DATA SHEET	
Valid from: 03.07.2018	SKINDICHT® SVRN	



PG	SW1 [mm]	SW2 [mm]	Ø A1 [mm]	Ø A2 [mm]	C [mm]	D [mm]	Ø F [mm]	Article No.
PG7	13	14	14,3	15,5	20,6	5	5	52000210
PG7	13	14	14,3	15,5	20,6	5	6	52020300
PG7	13	14	14,3	15,5	20,6	5	7	52020310
PG9	15	17	16,6	18,9	22,6	5	7	52020320
PG9	15	17	16,6	18,9	22,6	5	8	52020330
PG9	15	17	16,6	18,9	22,6	5	9	52000220
PG11	18	20	20	22,2	23,6	6	10	52020341
PG11	18	20	20	22,2	23,6	6	11	52000230
PG13,5	20	22	22,2	24,4	25,6	6,5	11	52000240
PG13,5	20	22	22,2	24,4	25,6	6,5	12	52000241
PG16	22	24	24,4	26,7	26,6	6,5	13	52000250
PG16	22	24	24,4	26,7	26,6	6,5	14	52000251
PG21	28	30	31,2	33,5	29,6	7	18	52000260
PG29	37	40	41	43,5	32,6	8	27	52000270
PG36	47	50	50,5	54	38,6	9	34	52000280
PG42	54	57	59	61	43,6	10	40	52000290
PG48	60	64	65	69	45,6	10	44	52000300

For more information please see our current catalogue. Please do not hesitate to contact our laboratory if there are any questions regarding resistance against aggressive agents and special oil.

Creator: V. Charcenko /PDP Released: DAMU1/PDP	Document: DB52000210EN Version: 04	Page 2 of 2
---	---------------------------------------	-------------