

53019000	DATA SHEET	
Valid from: 03.07.2018	SKINTOP® GMP-GL	

The SKINTOP® GMP-GL, a hexagonal locknut of glass fiber reinforced polyamide, is used where cable glands are attached but there is only a pass-through hole. When the cable gland is fixed in a thread, a higher protection against vibration can be attained with this locknut.



Technical features:

Material	Polyamide glass fiber reinforced, V-2 acc. to UL94
Sizes	PG7 up to PG48 acc. to DIN 46320
Temperature range	-20 °C up to +80 °C
Colour	RAL 7001 silver-grey RAL 7035 light-grey RAL 9005 black

Approvals:



UL File Nr. E79903


Norm references:

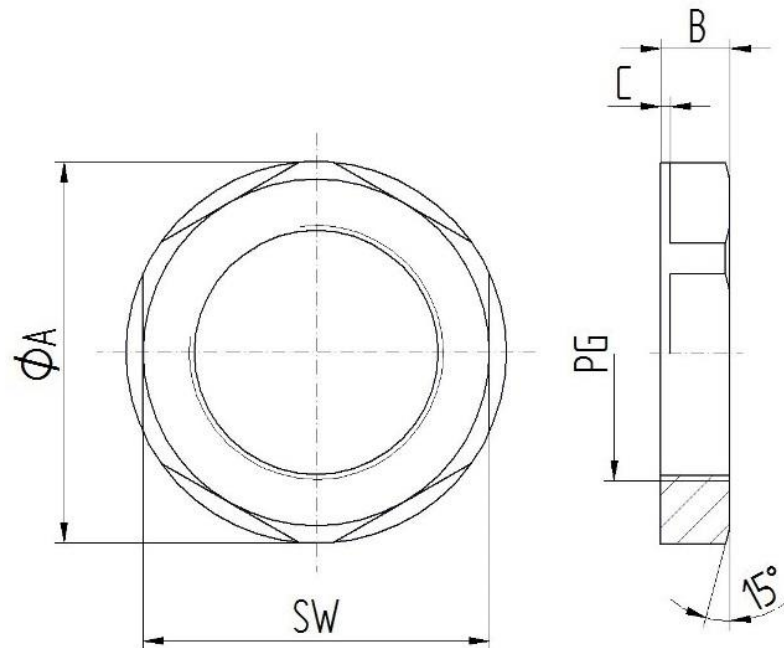


Note:

SKINTOP® GMP-GL is UL-approved only by use with the UL-approved SKINTOP® polyamide cable glands.

Creator: M. Jurak /PDP Released: DAMU1/PDP	Document: DB53019000EN Version: 05	Page 1 of 2
---	---------------------------------------	-------------

53019000	DATA SHEET	
Valid from: 03.07.2018	SKINTOP® GMP-GL	



PG	SW [mm]	Ø A [mm]	B [mm]	C [mm]	Article No. RAL 7001	Article No. RAL 9005	Article No. RAL 7035
PG 7	19	21	5	0,9	53019000	53019200	53019001
PG 9	22	24	5	0,9	53019010	53019210	53019011
PG 11	24	26	5	0,8	53019020	53019220	53019021
PG 13,5	27	29	6	0,8	53019030	53019230	53019031
PG 16	30	33	6	0,8	53019040	53019240	53019041
PG 21	36	39	7	1	53019050	53019250	53019051
PG 29	46	50	7	1	53019060	53019260	53019061
PG 36	60	66	8	2	53019070	53019270	53019071
PG 42	65	73	8	2,2	53019080	53019280	53019081
PG 48	70	78	8	2,2	53019090	53019290	53019091

For more information please see our current catalogue. Please do not hesitate to contact our laboratory if there are any questions regarding resistance against aggressive agents and special oil.

Creator: M. Jurak /PDP Released: DAMU1/PDP	Document: DB53019000EN Version: 05	Page 2 of 2
---	---------------------------------------	-------------