


52108040	DATA SHEET	
Valid from: 03.07.2018	SKINDICHT® SE-M 220 / 320	

The SKINDICHT® SE-M 220/ 320 flange angle glands have two or three separate cable inlets which accept the cables whilst remaining impermeable to water and oil. Lead the cables through a single opening into the housing. In this way, two or three cable leads can be installed together in a single component. The gland, securely mounted, provides reliable protection even in very confined spaces.

SKINDICHT® SE-M 220/ 230 can also be combined with a lot of special glands of our program. The protection class depends on the special glands which are combined, but the standard version is at least IP 55.



Components:

Angular housing	Zinc die-casting, grey hammer-tone enamelled
Pressure screw	Brass, nickel-plated
Pressure washer	Steel, zinc-plated
Incised sealing ring	CR
Sleeve	PE
Gasket	SBR

Technical features:

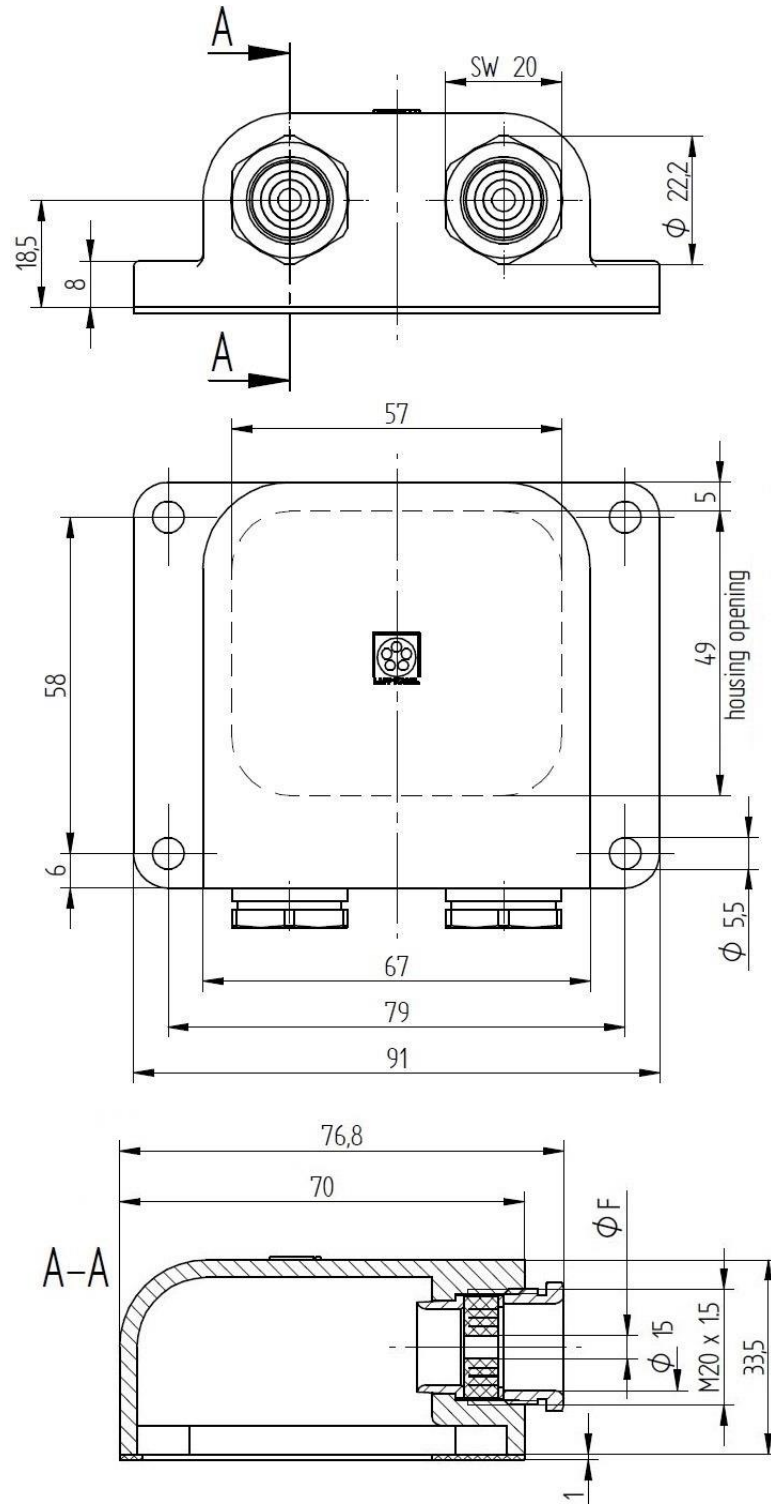
Connecting thread	M20x1,5 acc. to EN 60423
Temperature range	-20 °C up to +80 °C
Protection class	IP55 acc. to EN 60529
Surface	structured finish, colour RAL 7001
Design	SE-M 220 with 2 cable entries SE-M 320 with 3 cable entries SE-M 220 without sealing ring and compression screw SE-M 320 without sealing ring and compression screw

Norm references:



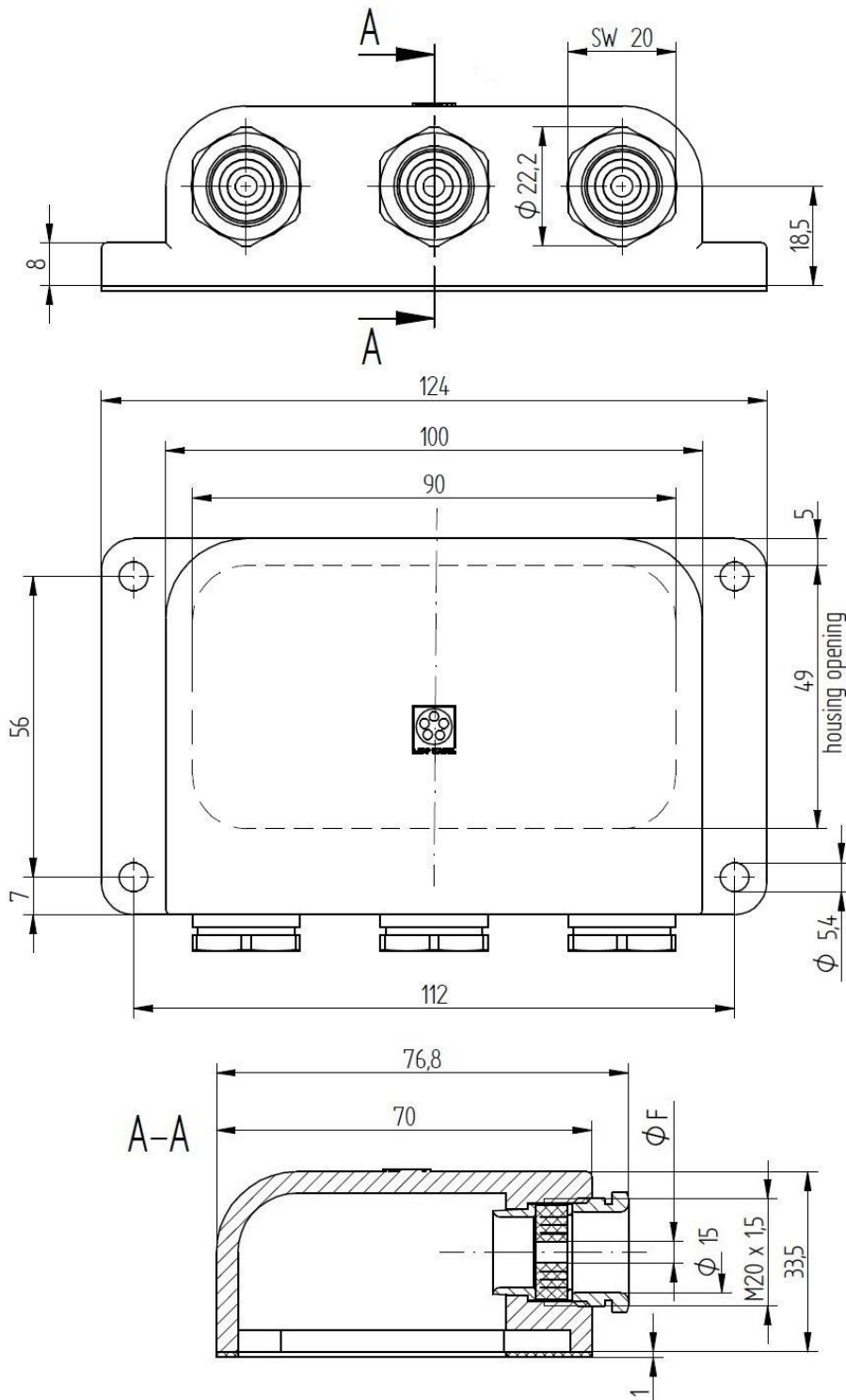
Creator: V.Charcenko /PDP Released: DAMU1/PDP	Document: DB52108040EN Version: 02	Page 1 of 5
--	---------------------------------------	-------------

SKINDICHT® SE-M 220




Article No.	ϕF Incised sealing ring [mm]
52108040	4 / 7 / 10 / 13

SKINDICHT® SE-M 230

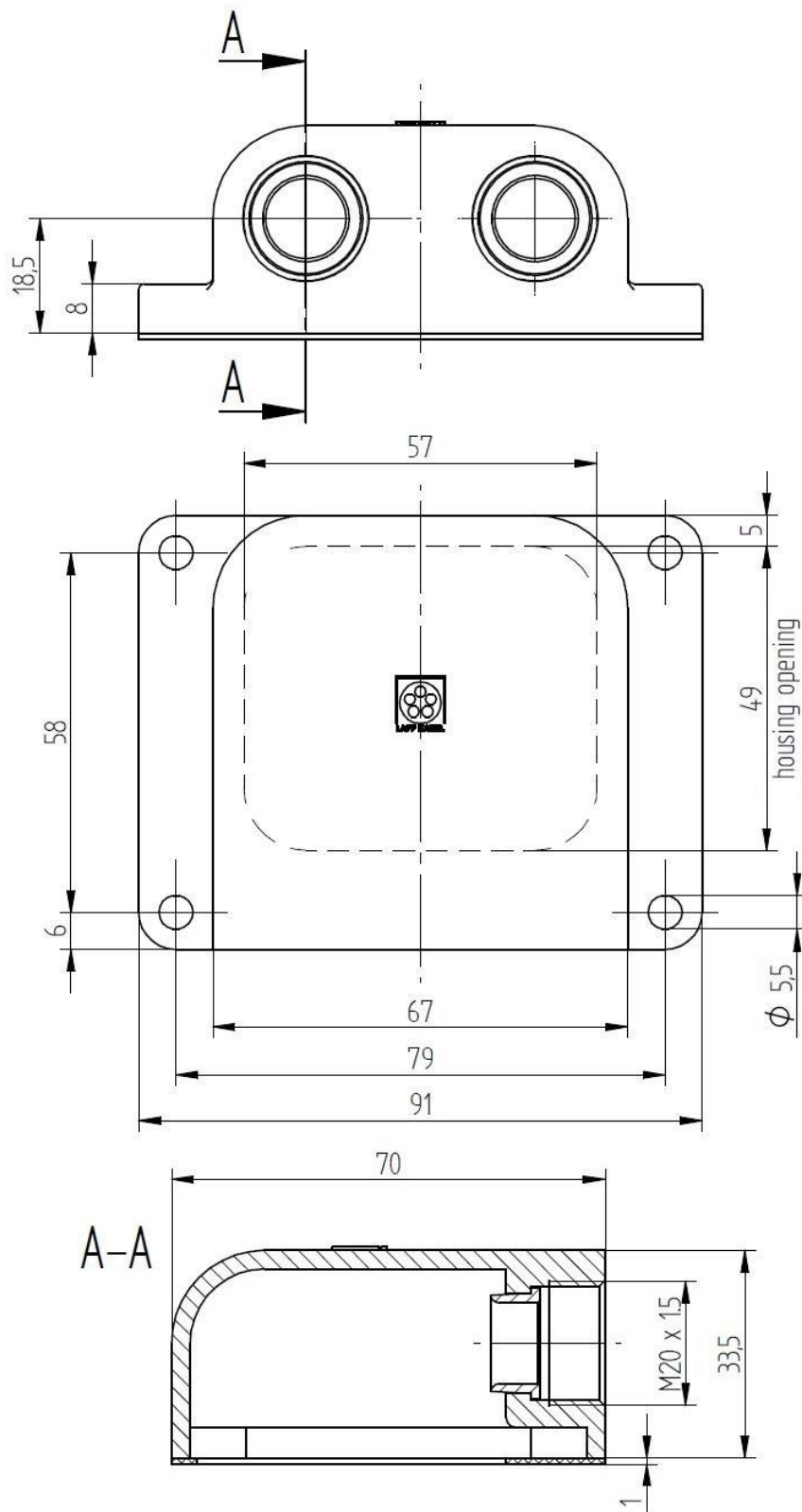


Article No.	ϕF Incised sealing ring [mm]
52108050	4 / 7 / 10 / 13

52108040	DATA SHEET	
Valid from: 03.07.2018	SKINDICHT® SE-M 220 / 320	


SKINDICHT® SE-M 220 without E+D

Article No.: 52108041



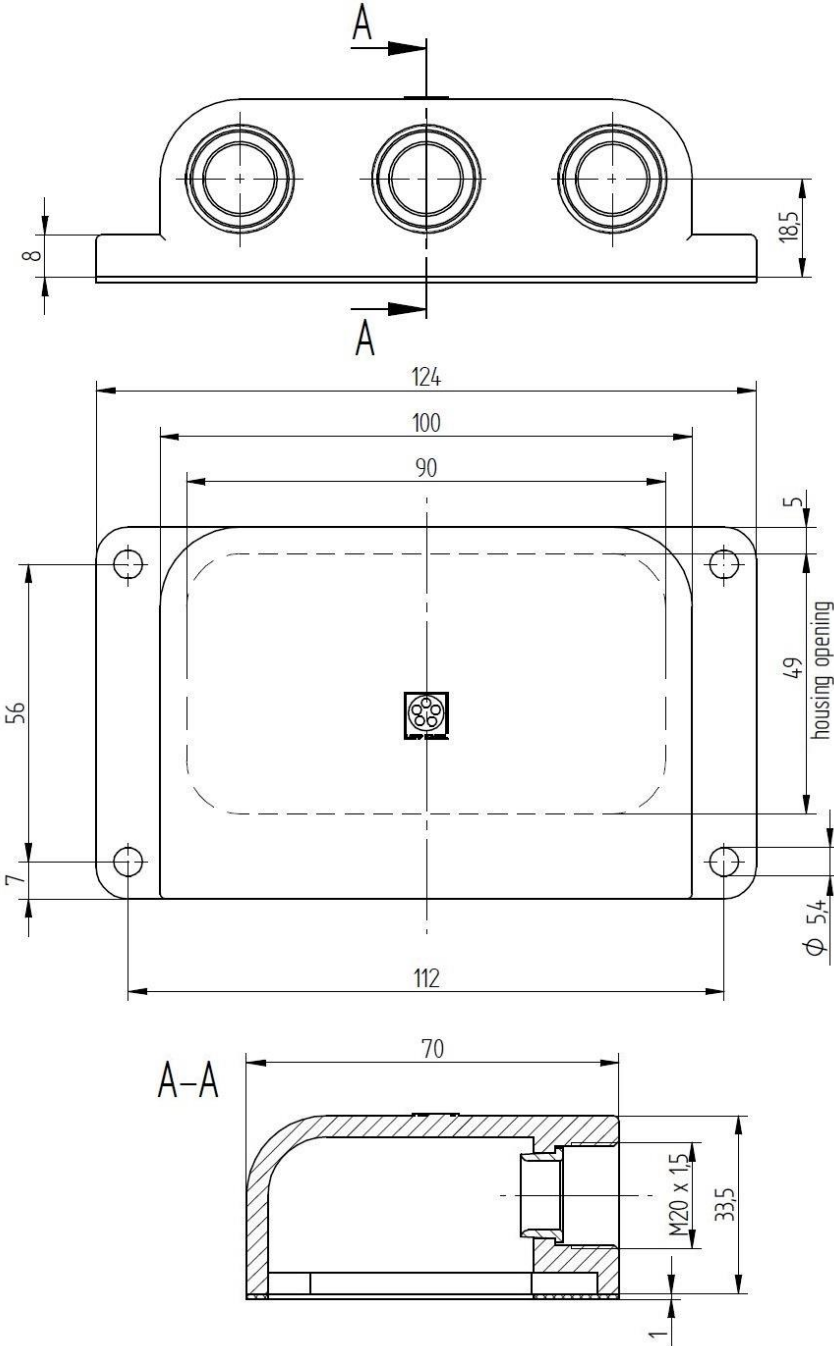
Dimension units: **mm**

Creator: V.Charcenko /PDP Released: DAMU1/PDP	Document: DB52108040EN Version: 02	Page 4 of 5
--	---------------------------------------	-------------

52108040	DATA SHEET	
Valid from: 03.07.2018	SKINDICHT® SE-M 220 / 320	

SKINDICHT® SE-M 230 without E+D

Article No.: 52108051



Dimension units: **mm**

For more information please see our current catalogue. Please do not hesitate to contact our laboratory if there are any questions regarding resistance against aggressive agents and special oil.

Creator: V.Charcenko /PDP Released: DAMU1/PDP	Document: DB52108040EN Version: 02	Page 5 of 5
--	---------------------------------------	-------------