

52106860	DATA SHEET	
Valid from: 03.07.2018	SKINDICHT® SHVE-M	

The SKINDICHT® SHVE-M is a professional EMC cable gland for screened cables. The polychloroprene sealing cone prevents the entry of dust, moisture and oil. For painted, anodised or powdered-coated housings, you will require our EMC counter nut SKINDICHT® SM-PE-M for the best contact.



Components:

Gland body	Brass, nickel-plated
Pressure screw	Brass, nickel-plated
Sealing cone	CR
Pressure cone	Brass, nickel-plated
Earthing sleeve	Brass, bright
O-ring	NBR

Technical features:

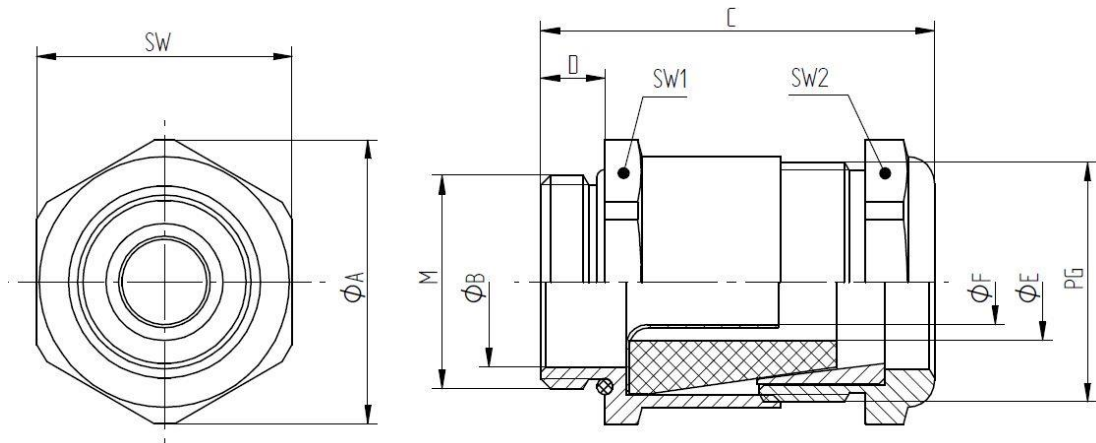
Connecting thread	M16x1,5 up to M32x1,5 acc. to EN 60423
Protection class	IP68 acc. to EN 60529
Temperature range	-20 °C up to +80 °C

Norm references:



Creator: V.Charcenko /PDP Released: DAMU1/PDP	Document: DB52106860EN Version: 03	Page 1 of 2
--	---------------------------------------	-------------

52106860	DATA SHEET	
Valid from: 03.07.2018	SKINDICHT® SHVE-M	



M	PG	SW1 / SW2 [mm]	Ø A [mm]	B [mm]	C [mm]	D [mm]	Ø F [mm]	Ø E [mm] Clamping range	Ø [mm] Inner sheath	Article No.
M16x1,5	PG9	18/17	18,9	12	26,5	5	3,2	4,5 - 5,8	2,2 - 3,2	52106860
M16x1,5	PG9	18/17	18,9	12	26,5	5	3,2	4,5 - 6,8	2,2 - 3,2	52106870
M16x1,5	PG9	18/17	18,9	12	26,5	5	3,6	5,5 - 5,8	2,6 - 3,6	52106880
M16x1,5	PG9	18/17	18,9	12	26,5	5	3,6	5,5 - 6,8	2,6 - 3,6	52106890
M20x1,5	PG11	22/20	22,2	15	31,0	6	4,5	3,0 - 6,8	3,5 - 4,5	52106910
M20x1,5	PG11	22/20	22,2	15	31,0	6	4,5	6,0 - 8,8	3,5 - 4,5	52106920
M20x1,5	PG13,5	22/22	24,4	16	32,0	6	5	6,5 - 8,8	3,5 - 5,0	52106930
M20x1,5	PG13,5	22/22	24,4	16	32,0	6	6	6,0 - 8,8	4,5 - 6,0	52106940
M20x1,5	PG13,5	22/22	24,4	16	32,0	6	7	8,0 - 10,8	5,5 - 7,0	52106950
M20x1,5	PG16	24/24	26,7	16	34,5	6	8	8,5 - 10,8	6,0 - 8,0	52106960
M20x1,5	PG16	24/24	26,7	16	34,5	6	9	10,0 - 12,8	7,0 - 9,0	52106970
M20x1,5	PG16	24/24	26,7	16	34,5	6	10	10,0 - 12,8	8,0 - 10,0	52106980
M20x1,5	PG16	24/24	26,7	16	34,5	6	11	12,5 - 14,8	9,0 - 11,0	52106990
M25x1,5	PG21	30/30	33,5	20,7	39,0	7	12	13,0 - 15,8	10,0 - 12,0	52107000
M25x1,5	PG21	30/30	33,5	20,7	39,0	7	13	13,0 - 15,8	11,0 - 13,0	52107010
M25x1,5	PG21	30/30	33,5	20,7	39,0	7	14	15,5 - 17,8	12,0 - 14,0	52107020
M25x1,5	PG21	30/30	33,5	20,7	39,0	7	15	15,0 - 17,8	13,0 - 15,0	52107030
M25x1,5	PG21	30/30	33,5	20,7	39,0	7	16	17,5 - 19,8	14,0 - 16,0	52107040
M32x1,5	PG29	40/40	43,5	27,7	45,5	8	17	19,0 - 21,8	15,0 - 17,0	52107050
M32x1,5	PG29	40/40	43,5	27,7	45,5	8	18	19,0 - 21,8	16,0 - 18,0	52107060
M32x1,5	PG29	40/40	43,5	27,7	45,5	8	19	20,0 - 23,8	17,0 - 19,0	52107070
M32x1,5	PG29	40/40	43,5	27,7	45,5	8	19	23,0 - 25,8	17,0 - 19,0	52107080
M32x1,5	PG29	40/40	43,5	27,7	45,5	8	20	20,0 - 23,8	18,0 - 20,0	52107090

For more information please see our current catalogue. Please do not hesitate to contact our laboratory if there are any questions regarding resistance against aggressive agents and special oil.

Creator: V.Charcenko /PDP Released: DAMU1/PDP	Document: DB52106860EN Version: 03	Page 2 of 2
--	---------------------------------------	-------------