


52106800	DATA SHEET	
Valid from: 03.07.2018	SKINDICHT® SKZ-M / SKZ-M-XL	

The SKINDICHT® SKZ-M is a saddle clamp strain relief gland for harsh applications. The arrangement of the saddle clamps provides a wide clamping range with central cable clamping. The seal is achieved by a recessed sealing ring and an O-ring fitted onto the connecting thread. This cable gland is particularly suitable for use in plugs, switches and control panels.

The SKINDICHT® SKZ-M-XL is similar to the SKINDICHT® SKZ-M, but has an extended connection thread for thick walls.



Components:

Gland body	Brass, nickel-plated
Pressure screw with double clamp	Brass, nickel-plated
Incised sealing ring	CR
Pressure washers	Steel, zinc-plated
O-ring	NBR


Technical features:

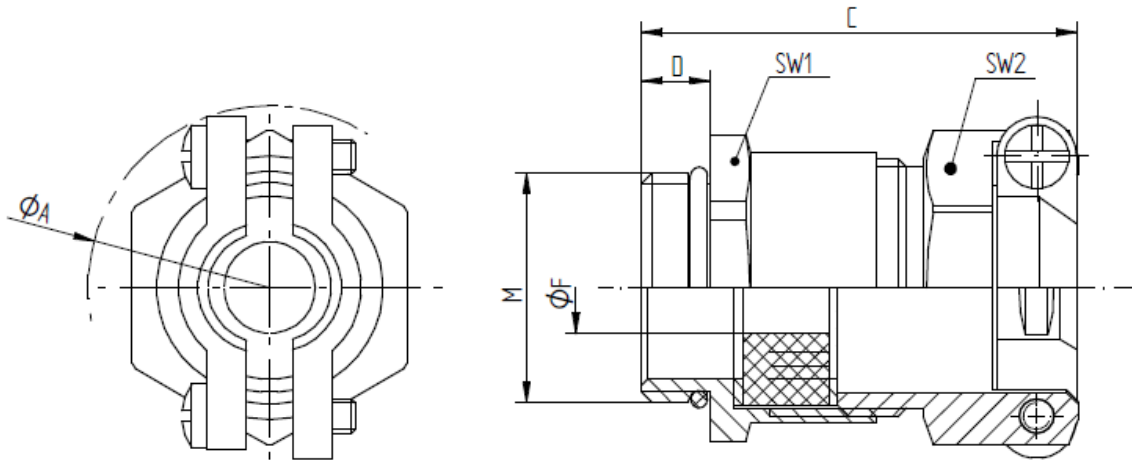
Connecting thread	M16x1.5 up to M32x1.5 acc. to EN 60423
Protection class	IP55 acc. to EN 60529
Temperature range	-20 °C up to +80 °C

Norm references:



Creator: T. Dvoulety /PDP Released: DAMU1/PDP	Document: DB52106800EN Version: 01	Page 1 of 2
--	---------------------------------------	-------------

52106800	DATA SHEET	
Valid from: 03.07.2018	SKINDICHT® SKZ-M / SKZ-M-XL	



SKINDICHT® SKZ-M

M	SW1 / SW2 [mm]	Ø A [mm]	C [mm]	D [mm]	Ø F [mm] Incised sealing ring	O-Ring [mm]	Article No.
M16x1,5	18 / 17	28	29,0	5	5/8	13x1,5	52106800
M20x1,5	22 / 20	30	30,0	6	7/10/12,5	17x1,5	52106810
M20x1,5	22 / 22	34	33,5	6	7/10,5/13/16	17x1,5	52106820
M20x1,5	24 / 24	36	34,5	6	8/10,5/13,5/16	17x1,5	52106830
M25x1,5	30 / 30	46	41,0	7	11/15/18/20	22x2	52106840
M32x1,5	40 / 41	58	46,0	8	19/23/27/31	28x2	52106850

SKINDICHT® SKZ-M-XL

M	SW1 / SW2 [mm]	Ø A [mm]	C [mm]	D [mm]	Ø F [mm] Incised sealing ring	O-Ring [mm]	Article No.
M16x1,5	18 / 17	28	34,0	10	5/8	13x1,5	52106805
M20x1,5	22 / 20	30	34,0	10	7/10/12,5	17x1,5	52106815
M20x1,5	22 / 22	34	37,5	10	7/10,5/13/16	17x1,5	52106825
M20x1,5	24 / 24	36	38,5	10	8/10,5/13,5/16	17x1,5	52106835
M25x1,5	30 / 30	46	45,0	11	11/15/18/20	22x2	52106845
M32x1,5	40 / 41	58	51,0	13	19/23/27/31	28x2	52106855

For more information please see our current catalogue. Please do not hesitate to contact our laboratory if there are any questions regarding resistance against aggressive agents and special oil.

Creator: T. Dvoutely /PDP Released: DAMU1/PDP	Document: DB52106800EN Version: 01	Page 2 of 2
--	---------------------------------------	-------------