

52105820	<b>DATA SHEET</b>	
Valid from: 25.09.2019	<b>SKINDICHT® SR-SV-M</b>	

The SKINDICHT® SR-SV-M is a special cable gland with VITON® anti-kink sleeve and metric connection thread. The VITON® sleeve is resistant against oils, solvents and chemicals at high temperatures. Our own reinforced acid resistant VITON® receptacle is especially suitable for machines, turbine manufacture and laboratory. Temperatures up to +165 °C do not result in aging effect even after a long usage period.



### Components:

Gland body	Brass, nickel-plated
Pressure screw with retainer	Brass, nickel-plated
Thread screws	Brass, nickel-plated
Clamping ring	Brass, nickel-plated
Anti-kink sleeve	FKM
Pressure washer	Steel, zinc-plated
Earthing sleeve	Brass, bright
O - Ring	FKM

### Technical features:

Connecting thread	M20x1,5 and M25x1,5 acc. to EN 60423
Protection class	IP65 acc. to EN 60529
Temperature range	-20 °C up to +165 °C

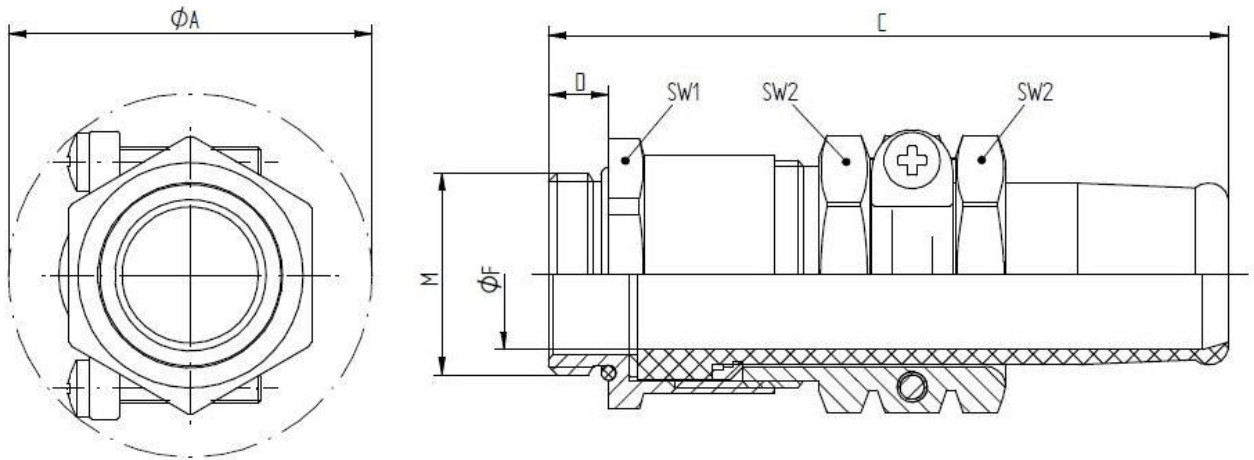
<b>Other properties:</b>	High strain relief Robust
--------------------------	------------------------------

### Norm references:



Creator: T. Dvoulety /PDP Released: DAMU1/PDP	Document: DB52105820EN Version: 02	Page 1 of 2
--	---------------------------------------	-------------

52105820	<b>DATA SHEET</b>	
Valid from: 25.09.2019	<b>SKINDICHT® SR-SV-M</b>	



M	SW1 [mm]	SW2 [mm]	$\phi A$ [mm]	C [mm]	D [mm]	$\phi F$ [mm] Clamping range	O-Ring [mm]	Article No.
M20x1,5	22	20	28	54	6	5,5-7	17x1,5	52105820
M20x1,5	22	20	28	54	6	7,5-9	17x1,5	52105830
M20x1,5	22	22	32	58	6	7,5-9	17x1,5	52105840
M20x1,5	22	22	32	58	6	8,5-11	17x1,5	52105850
M20x1,5	22	22	32	65	6	10,5-13	17x1,5	52105860
M20x1,5	24	24	35	65	6	11-13	17x1,5	52105870
M20x1,5	24	24	35	65	6	12-15	17x1,5	52105880
M25x1,5	30	30	40	77	7	13,5-15	22x2	52105890
M25x1,5	30	30	46	78	7	15,5-17	22x2	52105900
M25x1,5	30	30	46	77	7	16,5-19	22x2	52105910

For more information please see our current catalogue. Please do not hesitate to contact our laboratory if there are any questions regarding resistance against aggressive agents and special oil.

Creator: T. Dvoulety /PDP Released: DAMU1/PDP	Document: DB52105820EN Version: 02	Page 2 of 2
--	---------------------------------------	-------------