

52105600	<b>DATA SHEET</b>	
Valid from: 03.07.2018	<b>SKINDICHT® SRE-M</b>	

The SKINDICHT® SRE-M is a special cable gland for screened cables. The earthing sleeve pushed under the braiding ensures a reliable functional earthing and EMC compliance. The neoprene sleeve guarantees sealing and kink protection, the cleat provides reliable strain relief.



### Components:

Gland body	Brass, nickel-plated
Retainer with pressure screw	Brass, nickel-plated
Protective rubber sleeve	CR
Earthing sleeve	Brass, bright
O-ring	NBR

### Technical features:

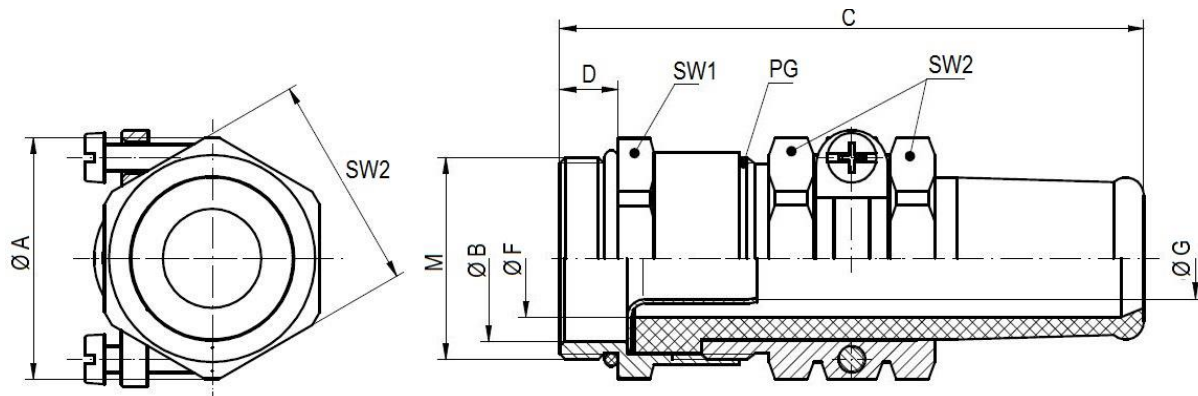
Connecting thread	M20x1.5 up to M40x1.5 acc. to EN 60 423
Functional thread	PG13.5 up to PG36 acc. to DIN 40430
Protection class	IP65 acc. to EN 60529
Temperature range	-20 °C up to +80 °C

### Norm references:



Creator: V.Charcenko /PDP Released: DAMU1/PDP	Document: DB52105600EN Version: 01	Page 1 of 2
--	---------------------------------------	-------------

52105600	<b>DATA SHEET</b>	
Valid from: 03.07.2018	<b>SKINDICHT® SRE-M</b>	



M	PG	SW1 / SW2 [mm]	Ø A [mm]	Ø B [mm]	C [mm]	D [mm]	Ø G [mm]	Ø F [mm] Clamping range	Ø [mm] Cable inner sheath	Article No.
M20x1,5	PG13,5	22 / 22	25,1	15	59,5	6	6	7,5 - 9	4,5 - 6	52105600
M20x1,5	PG13,5	22 / 22	25,1	15	59,5	6	7	9 - 11	5,5 - 7	52105610
M20x1,5	PG16	24 / 24	27,4	15	64,5	6	9	11 - 13	7 - 9	52105620
M20x1,5	PG16	24 / 24	27,4	15	64,5	6	10	11 - 13	8 - 10	52105630
M20x1,5	PG16	24 / 24	27,4	15	64,5	6	11	13,5 - 15	9 - 11	52105640
M25x1,5	PG21	30 / 30	34,3	20	78	7	12	13,5 - 15	10 - 12	52105650
M25x1,5	PG21	30 / 30	34,3	20	78	7	14	15 - 17	12 - 14	52105660
M25x1,5	PG21	30 / 30	34,3	20	78	7	15	17 - 19	13 - 15	52105670
M25x1,5	PG21	30 / 30	34,3	20	78	7	16	18 - 20	14 - 16	52105680
M32x1,5	PG29	40 / 41	47,0	27	90	8	17	18 - 20	15 - 17	52105690
M32x1,5	PG29	40 / 41	47,0	27	90	8	19	21 - 23	17 - 19	52105700
M40x1,5	PG36	50 / 50	57,4	34	108	8	22	23,5 - 26	20 - 22	52105710
M40x1,5	PG36	50 / 50	57,4	34	108	8	24	27 - 30	22 - 24	52105720
M40x1,5	PG36	50 / 50	57,4	34	108	8	28	30 - 33	26 - 28	52105730
M40x1,5	PG36	50 / 50	57,4	34	108	8	30	32 - 35	28 - 30	52105740

For more information please see our current catalogue. Please do not hesitate to contact our laboratory if there are any questions regarding resistance against aggressive agents and special oil.

Creator: V.Charcenko /PDP Released: DAMU1/PDP	Document: DB52105600EN Version: 01	Page 2 of 2
--	---------------------------------------	-------------