

52104980	DATA SHEET	
Valid from: 03.07.2018	SKINDICHT® SVRE-M	

The SKINDICHT® SVRE-M brass cable gland is a cable entry for the universal use. The gland with hexagonal fitting and variable incised sealing ring offers a fast assembly with a flat spanner.



Components:

Gland body	Brass, nickel plated
Pressure screw	Brass, nickel plated
Pressure washer	Steel, zinc-plated
Incised sealing ring	CR

Technical features:

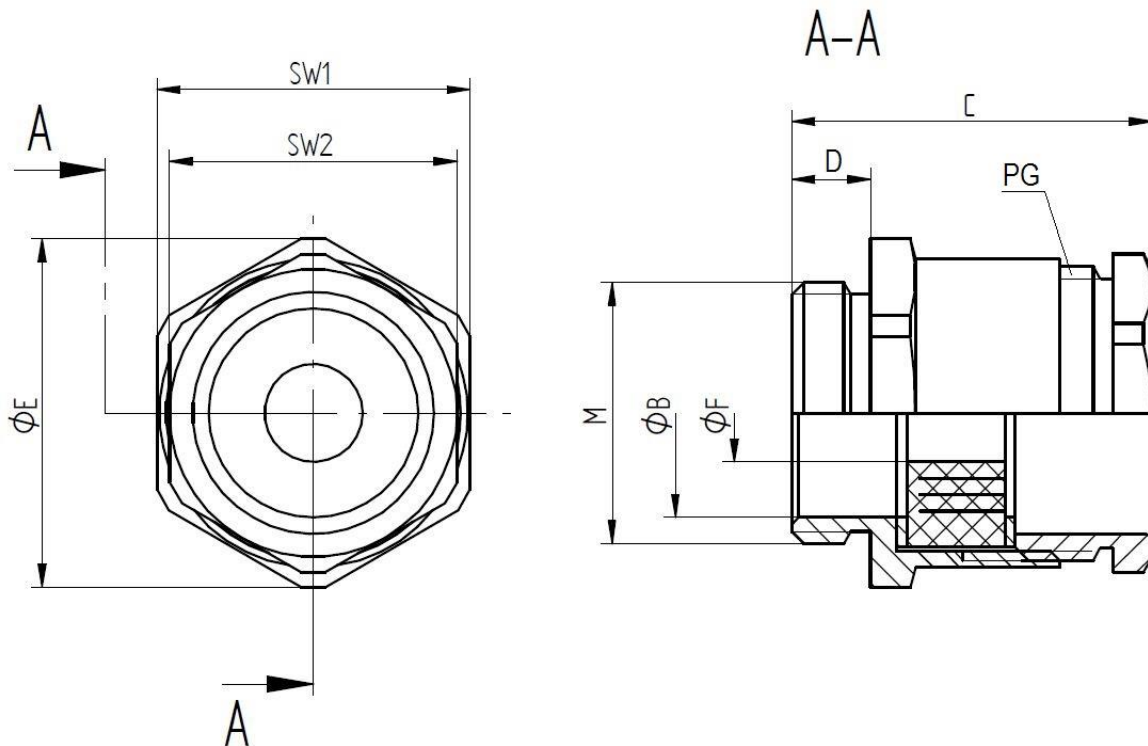
Connecting thread	M16x1,5 up to M63x1,5 acc. to EN 60423 <i>On request: Cable gland is also available with long connecting thread - SKINTOP® SVRE-M XL</i>
Functional thread	PG-thread acc. to DIN 40430
Protection class	IP54 acc. to EN 60529
Temperature range	-20 °C to +80 °C

Norm references:



Creator: V. Charcenko /PDP Released: DAMU1/PDP	Document: DB52104980EN Version: 03	Page 1 of 2
---	---------------------------------------	-------------

52104980	DATA SHEET	
Valid from: 03.07.2018	SKINDICHT® SVRE-M	



M Connecting thread	PG Function thread	SW1 [mm]	SW2 [mm]	Ø E [mm]	D [mm]	C [mm]	Ø F [mm] Incised sealing ring	Ø B [mm]	Article No.
M16x1,5	PG9	18	15	20	5	21,6	5 / 8	10	52104980
M20x1,5	PG11	22	18	24	6	23,6	7 / 10 / 12,5	12	52104990
M20x1,5	PG13,5	22	20	24	6	25,6	7 / 10,5 / 13 / 16	14	52105000
M20x1,5	PG16	24	22	26,2	6	26,6	8 / 10,5 / 13,5 / 16	15	52105010
M25x1,5	PG21	30	28	33	7	29,6	11 / 15 / 18 / 20	20	52105002
M32x1,5	PG29	40	37	42,5	8	32,6	19 / 23 / 27 / 31	27	52105003
M40x1,5	PG36	50	47	54	8	37,6	25 / 28 / 31 / 35	34	52105004
M50x1,5	PG42	57	54	60	9	42,6	35,5 / 39 / 42,5 / 46	43	52105005
M63x1,5	PG48	66	60	70	10	45,1	40,5 / 44 / 47 / 50,5	48	52105006

For more information please see our current catalogue. Please do not hesitate to contact our laboratory if there are any questions regarding resistance against aggressive agents and special oil.

Creator: V. Charcenko /PDP Released: DAMU1/PDP	Document: DB52104980EN Version: 03	Page 2 of 2
---	---------------------------------------	-------------