


52104570	DATA SHEET	
Valid from: 03.07.2018	SKINDICHT® MR-M ATEX	

The SKINDICHT® MR-M ATEX reducers with a guide groove for O-ring (recess) enable the use of cable gland with outer threads that are smaller than the existing threaded openings in machinery, devices and housings.



Components:

Reducer	Brass, nickel-plated
O-ring	NBR

Technical features:

External tread	M16x1.5 up to M63x1.5 acc. to EN 60423
Internal thread	M12x1.5 up to M50x1.5 acc. to EN 60423
Temperature range	-30 °C up to +90 °C
Protection class	IP66 and IP68 acc. to EN 60529

Category:	Equipment Group II
	Category 2G / 1D

Approvals:




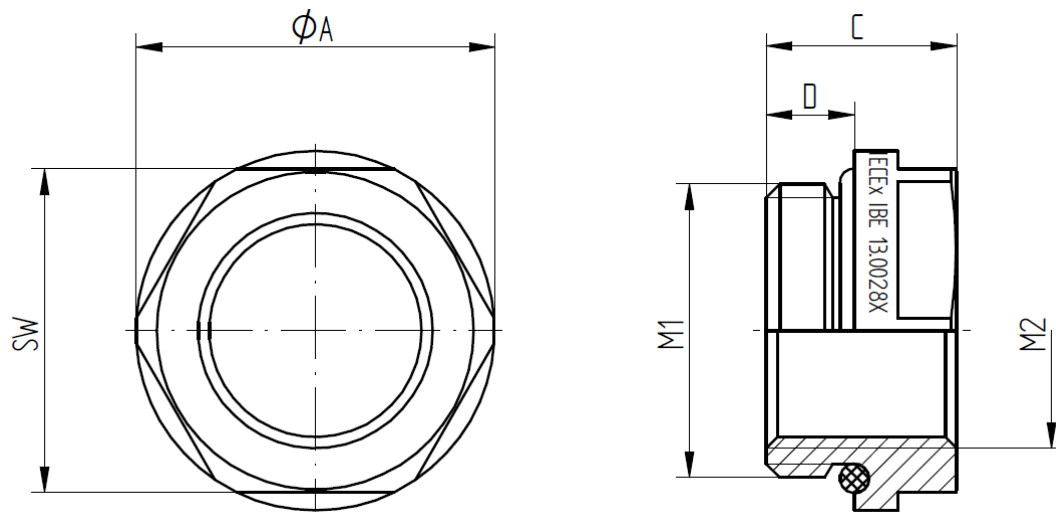
EC Type Examination Certification	IBExU 03 ATEX 1010
IECEX Certificate	IECEX IBE 13.0028x

Norm references:



Creator: T. Dvoulety /PDP Released: DAMU1/PDP	Document: DB52104570EN Version: 03	Page 1 of 2
--	---------------------------------------	-------------

52104570	DATA SHEET	
Valid from: 03.07.2018	SKINDICHT® MR-M ATEX	



External thread M1	Internal thread M2	SW [mm]	Ø A [mm]	C [mm]	D [mm]	Article No.
M16x1.5	M12x1.5	17	19	10,5	5	52104570
M20x1.5	M16x1,5	22	24,5	13	6	52104571
M25x1.5	M20x1,5	27	30,1	15	7	52104572
M32x1.5	M25x1.5	34	37,2	16,5	8	52104573
M40x1.5	M32x1.5	41	45,6	16,5	8	52104574
M50x1.5	M40x1.5	50	55,3	19,5	10	52104575
M63x1.5	M50x1.5	65	71,3	18,5	8,5	52104576

For more information please see our current catalogue. Please do not hesitate to contact our laboratory if there are any questions regarding resistance against aggressive agents and special oil.

Creator: T. Dvoulety /PDP Released: DAMU1/PDP	Document: DB52104570EN Version: 03	Page 2 of 2
--	---------------------------------------	-------------