

52104310	DATA SHEET	
Valid from: 14.04.2023	SKINDICHT® MR-M	

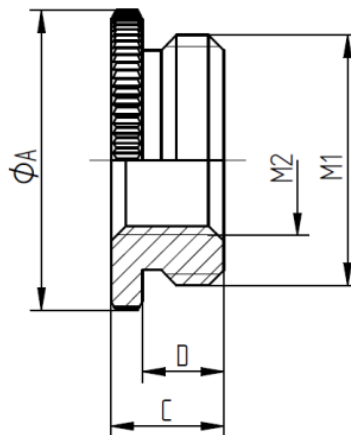
The SKINDICHT® MR-M reducers enable the use of cable glands which outer thread is smaller than the already existing thread borings in machines, devices and housings.



Technical features:

Material	Brass / Brass lead free, nickel-plated (external thread M16x1.5 up to M72x2) Brass, bright (internal thread M80x2)
O-ring (optional)	NBR
External thread	M16x1.5 up to M80x2 acc. to EN 60423
Internal thread	M12x1.5 up to M75x1,5 acc. to EN 60423
Temperature range	-60°C up to +200°C

Norm



Creator: MAU1/PDP Released: DAMU1/PDP	Document: DB52104310EN Version: 07	Page 1 of 2
--	---------------------------------------	-------------

52104310	DATA SHEET	
Valid from: 14.04.2023	SKINDICHT® MR-M	

SKINDICHT® MR-M

External thread M1	Internal thread M2	Diameter Ø A mm	High C mm	High D mm	Article No.	
					Brass	Brass lead free
M16x1,5	M12x1,5	20	8,5	6	52104310	52104310LF
M20x1,5	M12x1,5	24	9	6,5	52104311	52104311LF
M20x1,5	M16x1,5	24	9	6,5	52104312	52104312LF
M25x1,5	M16x1,5	30	10	7	52104313	52104313LF
M25x1,5	M20x1,5	30	10	7	52104314	52104314LF
M32x1,5	M20x1,5	37	11,5	8	52104315	-
M32x1,5	M25x1,5	37	11,5	8	52104316	-
M40x1,5	M25x1,5	46	12,5	9	52104317	-
M40x1,5	M32x1,5	46	12,5	9	52104318	-
M50x1,5	M32x1,5	56	14	10	52104319	-
M50x1,5	M40x1,5	56	14	10	52104320	-
M63x1,5	M40x1,5	68	14	10	52104321	-
M63x1,5	M50x1,5	68	14	10	52104322	-
M72x2	M63x1,5	78	19	12	52006575	-
M80x2	M75x1,5	86	19	12	52006579	-

SKINDICHT® MR-M with o-ring

External thread M1	Internal thread M2	Diameter Ø A mm	High C mm	High D mm	Article No.	
					Brass	Brass lead free
M16x1,5	M12x1,5	20	8,5	6	52104409	-
M20x1,5	M12x1,5	24	9	6,5	52104411	-
M20x1,5	M16x1,5	24	9	6,5	52104412	-
M25x1,5	M16x1,5	30	10	7	52104413	-
M25x1,5	M20x1,5	30	10	7	52104414	-
M32x1,5	M20x1,5	37	11,5	8	52104419	-
M32x1,5	M25x1,5	37	11,5	8	52104416	-
M40x1,5	M25x1,5	46	12,5	9	52104417	-
M40x1,5	M32x1,5	46	12,5	9	52104418	-
M50x1,5	M32x1,5	56	14	10	52104421	-
M50x1,5	M40x1,5	56	14	10	52104422	-
M63x1,5	M40x1,5	68	14	10	52104423	-
M63x1,5	M50x1,5	68	14	10	52104424	-

For more information please see our current catalogue. Please do not hesitate to contact our laboratory if there are any questions regarding resistance against aggressive agents and special oil.

Creator: MAAU1/PDP Released: DAMU1/PDP	Document: DB52104310EN Version: 07	Page 2 of 2
---	---------------------------------------	-------------