

52103000	DATA SHEET	
Valid from: 13.10.2022	SKINDICHT® SM-M	

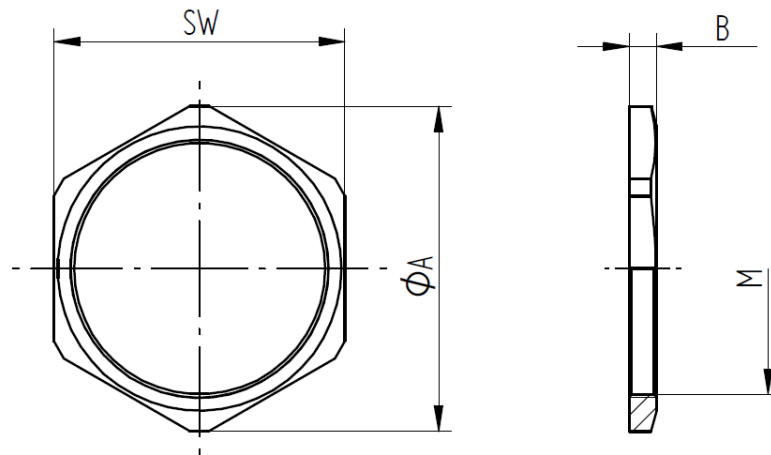
The SKINDICHT® SM-M is a hexagonal brass counter nut with metric thread. Counter brass nuts are required in cases if glands have to be countered or thin housings allow only through borings.



Technical features:

Material	Brass, nickel-plated Lead free Brass, nickel plated
Sizes	M6x1,0 up to M110x2 acc. to DIN EN 60423
Temperature range	-60°C up to +200°C

Norm references:



Thread M	Wrench Size SW mm	Diameter Ø A mm	Thickness B mm	Art. No.	
				Brass	Lead free Brass
M6x1,0	10	11,1	3,2	52102998	-
M8x1,0	13	14,4	4	52102997	-
M10x1,0	17	19,1	5	52102999	-
M12x1,5	15	16,5	3	52103000	52103000LF
M16x1,5	19	20,9	3	52103010	52103010LF
M20x1,5	24	26,4	3,5	52103020	52103020LF
M25x1,5	30	33	4	52103030	52103030LF
M32x1,5	36	39,6	4	52103040	52103040LF
M40x1,5	46	50,6	5	52103050	52103050LF
M50x1,5	60	65	5	52103060	52103060LF
M63x1,5	70	77	5	52103070	52103070LF
M75x1,5	85	95	8	52103071	-
M90x2	102	114	10	52103072	-
M110x2	124	135	12	52103073	-

For more information please see our current catalogue. Please do not hesitate to contact our laboratory if there are any questions regarding resistance against aggressive agents and special oil.

Creator: MAU1 /PDP Released: DAMU1/PDP	Document: DB52103000EN Version: 07	Page 1 of 1
---	---------------------------------------	-------------