

52103100	DATA SHEET	
Valid from: 21.10.2022	SKINDICHT® BL-M	

SKINDICHT® BL-M blind plugs are used wherever already existing housing holes are not yet required or no longer required. Our blind plug model is equipped with a screwing slit, which makes installation significantly easier. The SKINDICHT® BL-M is qualified for using by machine-, apparatus construction and drives.



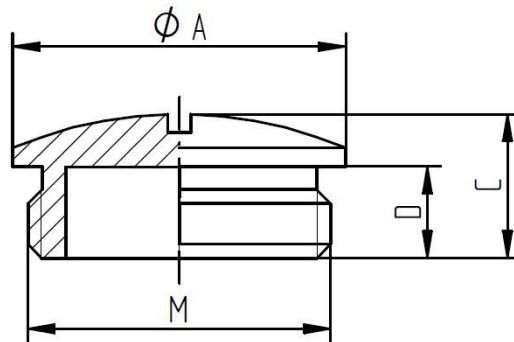
Technical features:

Material	Brass, nickel-plated Brass lead free, nickel-plated
Connecting thread	M12x1,5 up to M75 x1,5 acc. to EN 60423
Protection class	IP54 acc. to EN 60529
Temperature range	-60 °C up to +200 °C

Norm references:



File No.: e79903



M	Ø A [mm]	C [mm]	D [mm]	Article No.	
				Brass	Brass lead free
M12x1,5	14	7,5	5	52103100	52103100LF
M16x1,5	18	8	5	52103110	52103110LF
M20x1,5	22	9,5	6	52103120	52103120LF
M25x1,5	28	11	7	52103130	52103130LF
M32x1,5	35	12	8	52103140	-
M40x1,5	44	13	9	52103150	-
M50x1,5	54	15	9	52103160	-
M63x1,5	70	16	10	52103170	-
M75x1,5	80	17	11	52103190	-

For more information please see our current catalogue. Please do not hesitate to contact our laboratory if there are any questions regarding resistance against aggressive agents and special oil.

Creator: T. Dvoulety /PDP Released: DAMU1/PDP	Document: DB52103100EN Version: 06	Page 1 of 1
--	---------------------------------------	-------------