

52100600	DATA SHEET	
Valid from: 03.07.2018	SKINDICHT® D-M	

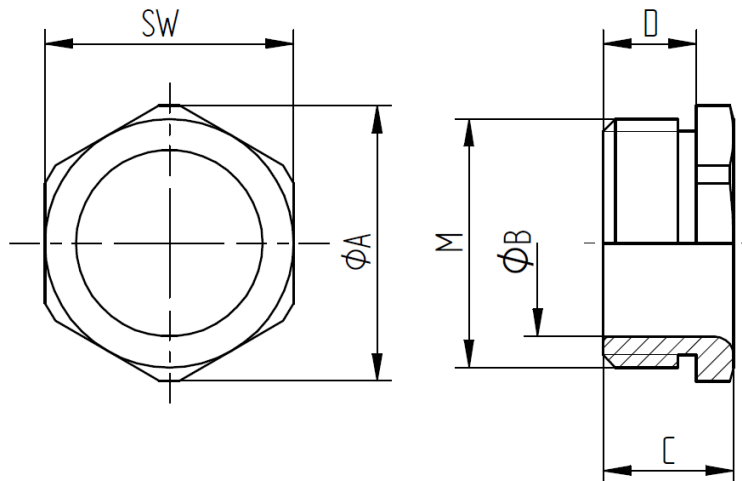
The SKINDICHT® D-M is a pressure screw with metric thread.



Technical features:

Material	Brass, nickel-plated
Connecting thread	M12x1.5 up to M63x1.5 acc. to EN 60423
Temperature range	-60°C up to +200°C

Norm references:



Thread	Wrench Size	Diameter	Diameter	Length	Thread Length	Article No.
M	SW mm	Ø A mm	Ø B mm	C mm	D mm	
M12x1,5	12	13,2	8,0	8,0	5,5	52100600
M16x1,5	16	17,6	12,0	8,5	6,0	52100601
M20x1,5	20	22,2	15,0	10,5	7,5	52100602
M25x1,5	25	27,5	20,0	11,5	8,0	52100603
M32x1,5	32	35,2	27,2	12,0	8,0	52100604
M40x1,5	40	43,5	35,2	14,0	9,5	52100605
M50x1,5	50	54,0	43,7	16,0	10	52100606
M63x1,5	65	70,9	55,9	17,5	11,5	52100607

For more information please see our current catalogue. Please do not hesitate to contact our laboratory if there are any questions regarding resistance against aggressive agents and special oil.

Creator: M. Wegerer /PDP Released: DAMU1/PDP	Document: DB52100600EN Version: 04	Page 1 of 1
---	---------------------------------------	-------------