
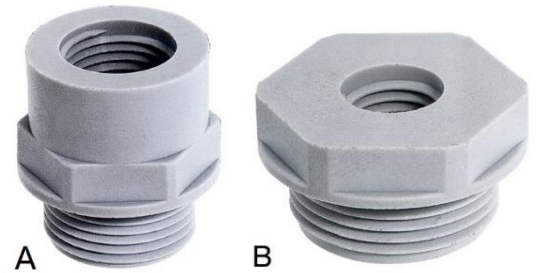


52100320	DATA SHEET	
Valid from: 28.03.2022	SKINDICHT® A-PG/M	

The SKINDICHT® A-PG/M is a polyamide glass-fibre reinforced converter from an external PG-thread to an internal metric thread.

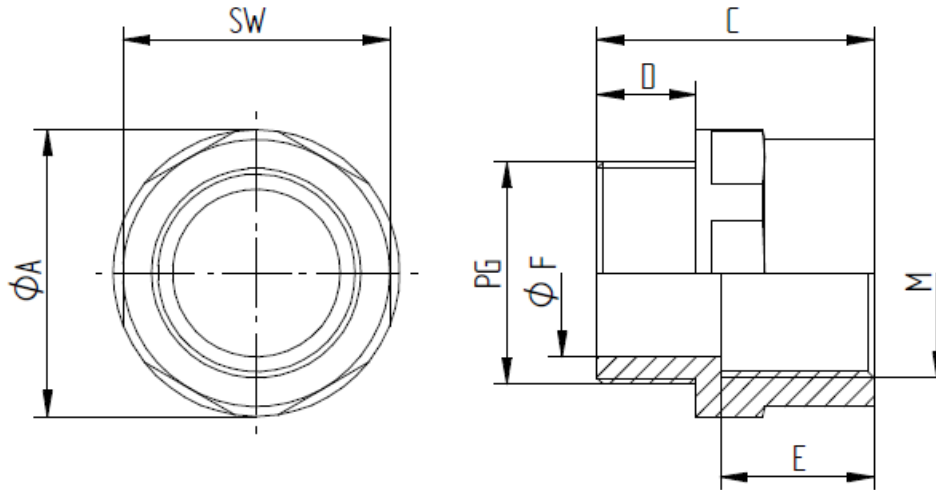


Technical features:


Material	Polyamide, glass-fibre reinforced
External thread	PG7 to PG48 acc. to DIN 40430
Internal thread	M12x1.5 up to M63x1.5 acc. to EN 60423
Temperature range	-25 °C up to +80 °C
Colour	RAL 7035 light-grey
Design	Form A High Form B Flat
Glow wire test	650°C acc. to VDE 0471
Fire classification	HB acc. to UL94

Creator: MAU1 /PDP Released: DAMU1/PDP	Document: DB52100320EN Version: 03	Page 1 of 3
---	---------------------------------------	-------------

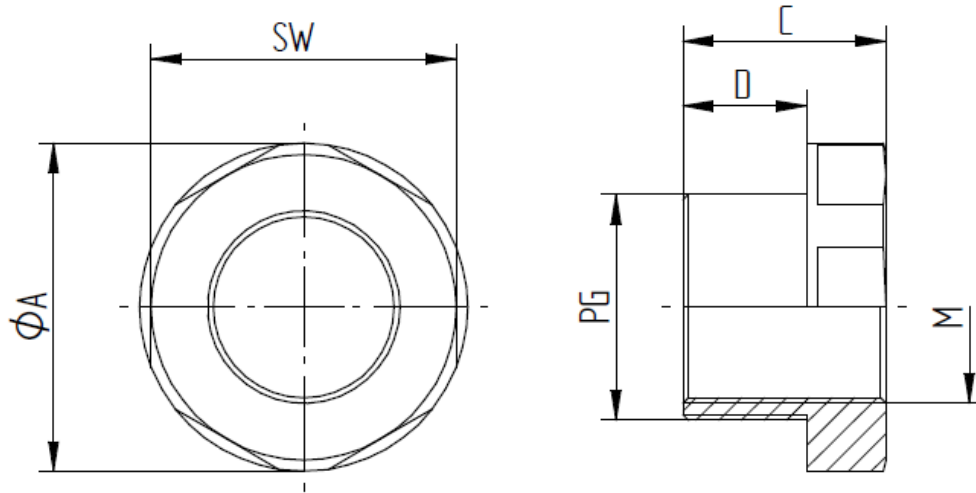
SKINDICHT® A-PG/M
Form A



External thread PG	Internal thread M	SW [mm]	Ø A [mm]	C [mm]	D [mm]	E [mm]	Ø F [mm]	Article No.
PG 7	M12x1,5	16	18	27	9	15,5	6	52100320
PG 7	M16x1,5	20	22	27	9	15,5	6	52100321
PG 9	M12x1,5	20	22	27	9	15,5	10	52100322
PG 9	M16x1,5	20	22	27	9	15,5	10	52100323
PG 9	M20x1,5	24	27	27	9	15,5	10	52100324
PG 11	M16x1,5	22	24	27	9	15,5	13	52100325
PG 11	M20x1,5	24	27	27	9	15,5	13	52100326
PG 11	M25x1,5	29	32	27	9	15,5	13	52100327
PG 13,5	M16x1,5	24	27	28	10	15,5	14	52100328
PG 13,5	M20x1,5	24	27	28	10	15,5	14	52100329
PG 13,5	M25x1,5	29	32	28	10	15,5	14	52100330
PG 16	M20x1,5	27	29	28	10	15,5	17	52100331
PG 16	M25x1,5	29	32	28	10	15,5	17	52100332
PG 16	M32x1,5	36	40	28	10	15,5	17	52100333
PG 21	M25x1,5	33	36	30	12	15,5	22	52100334
PG 21	M32x1,5	36	40	30	12	15,5	22	52100335
PG 21	M40x1,5	46	51	30	12	15,5	22	52100336
PG 29	M40x1,5	46	51	30	12	15,5	30,5	52100338
PG 29	M50x1,5	55	61	30	12	15,5	30,5	52100339
PG 36	M50x1,5	55	61	32	14	15,5	40,5	52100341
PG 36	M63x1,5	68	75	32	14	15,5	40,5	52100342
PG 42	M50x1,5	60	67	32	14	15,5	47,5	52100344
PG 42	M63X1,5	68	75	32	14	15,5	47,5	52100345
PG 48	M63x1,5	68	75	33	15	15,5	52	52100347

52100320	DATA SHEET	
Valid from: 28.03.2022	SKINDICHT® A-PG/M	

**SKINDICHT® A-PG/M
Form B**



External thread PG	Internal thread M	SW [mm]	ϕA [mm]	C [mm]	D [mm]	Article No.
PG 29	M32x1,5	42	45	19	12	52100337
PG 36	M40x1,5	53	59	21	14	52100340
PG 42	M40x1,5	60	67	21	14	52100343
PG 48	M50x1,5	65	73	22	15	52100346

For more information please see our current catalogue. Please do not hesitate to contact our laboratory if there are any questions regarding resistance against aggressive agents and special oil.

Creator: MAU1 /PDP Released: DAMU1/PDP	Document: DB52100320EN Version: 03	Page 3 of 3
---	---------------------------------------	-------------