

52100300	DATA SHEET	
Valid from: 13.12.2021	SKINDICHT® EKU-M	

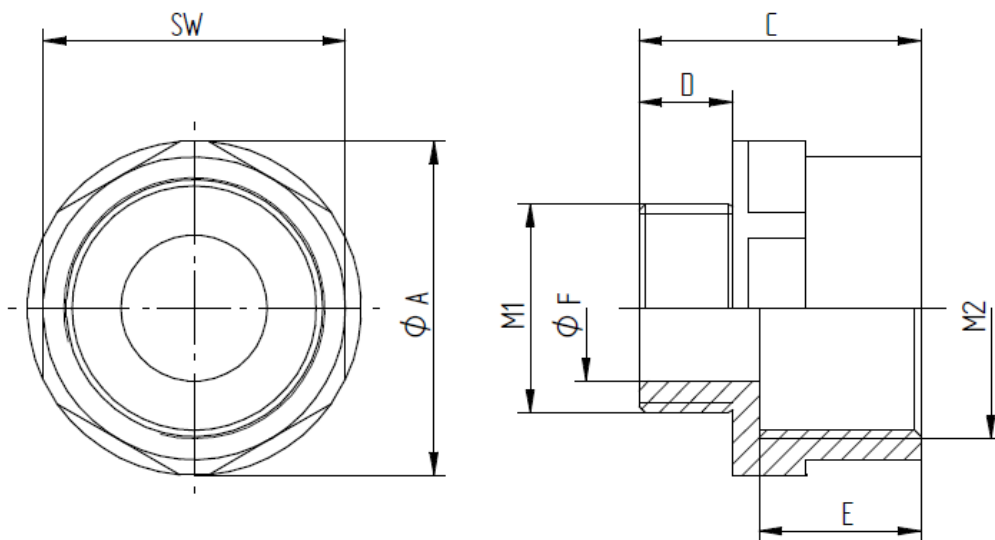
The SKINDICHT® EKU-M is an enlarger made of polyamide reinforced by glass-fibre. It can be used for extension of existing thread openings in the housing for installation of larger cable glands.



Technical features:

Material	Polyamide, glass-fibre reinforced
External thread	M12x1.5 up to M50x1.5 acc. to EN 60423
Internal thread	M16x1.5 up to M63x1,5 acc. to EN 60423
Temperature range	-40°C up to +100°C
Colour	RAL 7035 light-grey

Norm references:



Creator: M. Wegerer /PDP Released: DAMU1/PDP	Document: D DB52100300EN Version: 07	Page 1 of 2
---	---	-------------

52100300	DATA SHEET	
Valid from: 13.12.2021	SKINDICHT® EKU-M	

External thread M1	Internal thread M2	SW [mm]	Ø A [mm]	C [mm]	D [mm]	E [mm]	Ø F [mm]	Article No.
								RAL 7035
M12x1,5	M16x1,5	20	22	27	9	15,5	6	52100300
M16x1,5	M20x1,5	24	27	27	9	15,5	10	52100301
M20x1,5	M25x1,5	29	32	27	9	15,5	14	52100302
M25x1,5	M32x1,5	36	40	28	10	15,5	19	52100303
M32x1,5	M40x1,5	46	51	30	12	15,5	26	52100304
M40x1,5	M50x1,5	55	61	30	12	15,5	32	52100305
M50x1,5	M63x1,5	68	75	32	14	15,5	42	52100306

External thread M1	Internal thread M2	SW [mm]	Ø A [mm]	C [mm]	D [mm]	E [mm]	Ø F [mm]	Article No.
								RAL 9005
M12x1,5	M16x1,5	20	22	18,5	8	9	7	52100308
M16x1,5	M20x1,5	24	26	20	8	10	11	52100309
M20x1,5	M25x1,5	30	33	22	9	11	15	52100310
M25x1,5	M32x1,5	36	40	24	10	12	20	52100311
M32x1,5	M40x1,5	44	47	26	11	13	26	52100312
M40x1,5	M50x1,5	55	60	28	12	14	34	52100313
M50x1,5	M63x1,5	70	77	31,5	13	15	43	52100314

For more information please see our current catalogue. Please do not hesitate to contact our laboratory if there are any questions regarding resistance against aggressive agents and special oil.

Creator: M. Wegerer /PDP Released: DAMU1/PDP	Document: D DB52100300EN Version: 07	Page 2 of 2
---	---	-------------