

52032580	DATA SHEET	
Valid from: 06.05.2022	SKINDICHT® CN-M	

The SKINDICHT® CN-M is a chromium nickel steel cable gland with metric connecting thread and with FPM seal, specially designed for use under tough conditions, e.g. in the pharmaceutical, petrochemical industry (aggressive media) as well as offshore-, dairy- and food area.



Components:

Gland body	Stainless steel 1.4305 (V2A)
Cap nut	Stainless steel 1.4305 (V2A)
Seal	FPM
O-Ring	FPM

Technical features:

Connecting thread	M12x1,5 up to M63x1,5 acc.to EN 60423
Temperature range	-40 °C up to +200 °C
Protection class	IP 68 - 10 bar, test acc. to EN 60529 IP 69, test acc. to EN 60529
Strain relief	In accordance with EN 50262, class A

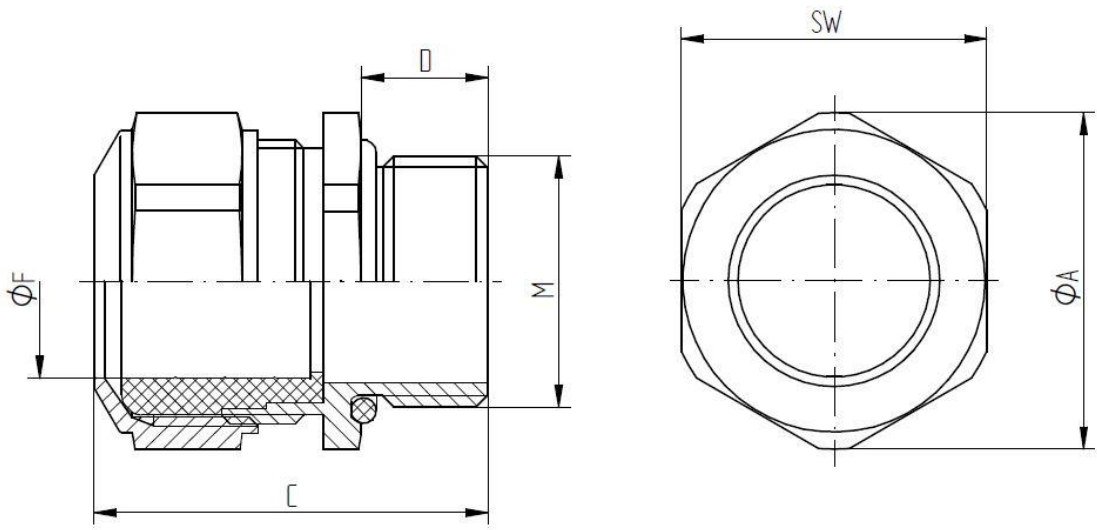
Norm references:



Note: Suitable counter nut SKINDICHT® SM Cr-Ni M

Creator: MAAU1 /PDP Released: DAMU1/PDP	Document: DB52032580EN Version: 07	Page 1 of 2
--	---------------------------------------	-------------

52032580	DATA SHEET	
Valid from: 06.05.2022	SKINDICHT® CN-M	



M	SW [mm]	Ø A [mm]	C [mm]	D [mm]	Ø F [mm] Clamping range	Tightening torque (Nm)	Article No.
M12x1,5	17	18,5	27	10	3,5 - 5	4	52032580
M12x1,5	17	18,5	27	10	5 - 6,5	5	52032590
M12x1,5	17	18,5	27	10	6,5 - 8	3	52032600
M16x1,5	19	20,8	30	10	8 - 10,5	3	52032610
M20x1,5	24	26,4	31	10	11 - 15	5	52032620
M25x1,5	30	33	36	11	16 - 20,5	4	52032630
M32x1,5	36	40	41	13	21 - 25,5	4	52032640
M40x1,5	46	51	44	13	28,5 - 33	9	52032650
M50x1,5	55	60	48	14	37 - 42	14	52032660
M63x1,5	70	76	51	14	46 - 52	33	52032670

For more information please see our current catalogue. Please do not hesitate to contact our laboratory if there are any questions regarding resistance against aggressive agents and special oil.

Creator: MAU1 /PDP Released: DAMU1/PDP	Document: DB52032580EN Version: 07	Page 2 of 2
---	---------------------------------------	-------------