

51731000	DATA SHEET	
Valid from: 03.07.2018	SKINDICHT® EKU	

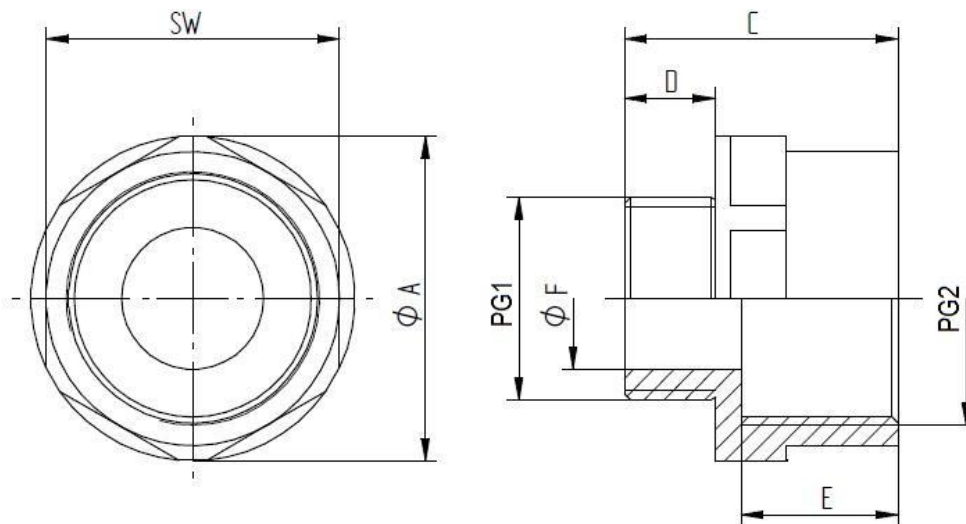
The SKINDICHT® EKU enlarger made up of reinforced glass-fibre polyamide is used when in existing thread holes in the housing larger cable connectors are needed.

Technical features:

Material: Polyamide, glass fibre reinforced
 External thread: PG7 up to PG42 acc. to DIN 40430
 Internal thread: PG9 up to PG48 acc. to DIN 40430
 Temperature range: -40° C up to +100° C
 Colour: RAL 7035 light-grey



Norm references:



External thread PG1	Internal thread PG2	SW [mm]	Ø A [mm]	C [mm]	D [mm]	E [mm]	Ø F [mm]	Article No.
PG 7	PG 9	20	22	27	9	15,5	6	52025200
PG 9	PG 11	22	24	27	9	15,5	10	51731000
PG 11	PG 13,5	24	27	27	9	15,5	13	51731010
PG 13,5	PG 16	27	29	28	10	15,5	14	51731020
PG 16	PG 21	33	36	28	10	15,5	17	51731030
PG 21	PG 29	42	45	30	12	15,5	22	51731040
PG 29	PG 36	53	59	30	12	15,5	30	52025210
PG 36	PG 42	60	67	32	14	15,5	40	52025220
PG 42	PG 48	65	73	32	14	15,5	47	52025230

For more information please see our current catalogue. Please do not hesitate to contact our laboratory if there are any questions regarding resistance against aggressive agents and special oil.

Creator: T. Dvoulety /PDP Released: DAMU1/PDP	Document: DB51731000EN Version: 01	Page 1 of 1
--	---------------------------------------	-------------