

52025235	DATA SHEET	
Valid from: 03.07.2018	SKINTOP® SD	

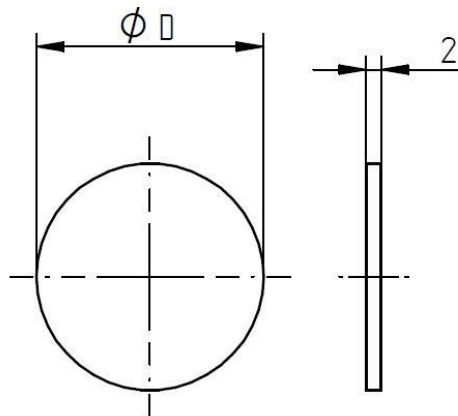
The SKINTOP® SD, a polyethylene foam dust seal is used for all assembly work in which the cable connection is made later and the inside of the housing must also be protected against moisture, dust, dirt and foreign bodies. Fixing is simple, nothing is to take apart, just push the cable through.



Technical features:

Material	Polyethylene foam
PG-Sizes	PG7 up to PG36
Color	Black

Norm references:



Article designation	Ø D [mm]	Article No.
SD 7	10,5	52025235
SD 9	13,5	52025240
SD 11	17,0	52025250
SD 13,5	18,5	52025260
SD 16	20,5	52025270
SD 21	26,0	52025280
SD 29	34,5	52025290
SD 36	44,5	52025291

For more information please see our current catalogue. Please do not hesitate to contact our laboratory if there are any questions regarding resistance against aggressive agents and special oil.

Creator: T. Dvoulety /PDP Released: DAMU1/PDP	Document: DB52025235EN Version: 02	Page 1 of 1
--	---------------------------------------	-------------