

52023620	<b>DATA SHEET</b>	
Valid from: 03.07.2018	<b>SKINDICHT® SR-SV</b>	

The SKINDICHT® SR-SV is a special cable gland with VITON® anti-kink sleeve. The VITON® sleeve is resistant against oils, solvents and chemicals at high temperatures. Our own reinforced acid resistant VITON® receptacle is especially suitable for machines, turbine manufacture and laboratory. Temperatures up to 165°C do not result in aging effect even after a long usage period.



### Components:

Gland body	Brass, nickel-plated
Pressure screw with clamp	Brass, nickel-plated
Thread screws	Brass, nickel-plated
Clamping ring	Brass, nickel-plated
Anti-kink sleeve	FKM
Pressure washer	Steel, zinc-plated
Earthing sleeve	Brass, bright
O-ring	FKM

### Technical features:

Connecting thread	PG11 to PG21 acc. to DIN 40430
Temperature range	-20 °C up to +165 °C
Protection class	IP65 acc. to EN 60529

### Other properties:

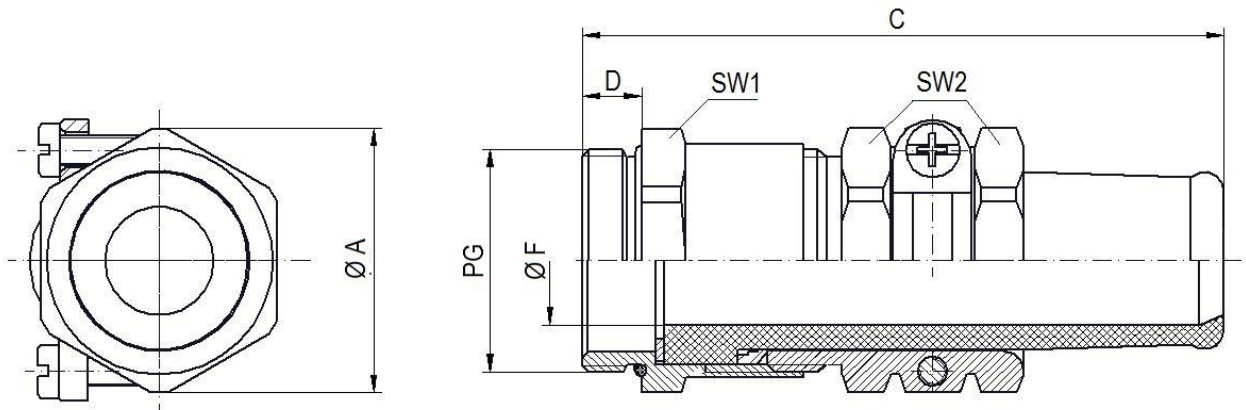
High strain relief  
Robust

### Norm references:



Creator: T. Dvoulety /PDP Released: DAMU1/PDP	Document: DB52023620EN Version: 04	Page 1 of 2
--	---------------------------------------	-------------

52023620	<b>DATA SHEET</b>	
Valid from: 03.07.2018	<b>SKINDICHT® SR-SV</b>	



PG	SW1 [mm]	SW2 [mm]	Ø A [mm]	C [mm]	D [mm]	Ø F [mm] Clamping range	O-Ring [mm]	Article No.
PG11	20	20	22,2	54	5,5	5,5-7	16x1,5	52023620
PG11	20	20	22,2	54	5,5	7,5-9	16x1,5	52023621
PG13,5	22	22	24,4	60	6	7,5-9	18x1,5	52023622
PG13,5	22	22	24,4	60	6	9-11	18x1,5	52023623
PG13,5	22	22	24,4	60	6	11,5-12	18x1,5	52023624
PG16	24	24	26,8	64	6	11-13	20x1,5	52023625
PG16	24	24	26,8	64	6	13-15	20x1,5	52023626
PG21	30	30	33,5	78	7	13,5-15	26x2	52023627
PG21	30	30	33,5	78	7	15-17	26x2	52023628
PG21	30	30	33,5	78	7	17-19	26x2	52023629

For more information please see our current catalogue. Please do not hesitate to contact our laboratory if there are any questions regarding resistance against aggressive agents and special oil.

Creator: T. Dvoutely /PDP Released: DAMU1/PDP	Document: DB52023620EN Version: 04	Page 2 of 2
--	---------------------------------------	-------------