

53801035	DATA SHEET	
Valid from: 03.07.2018	SKINDICHT® JT PTFE PG	

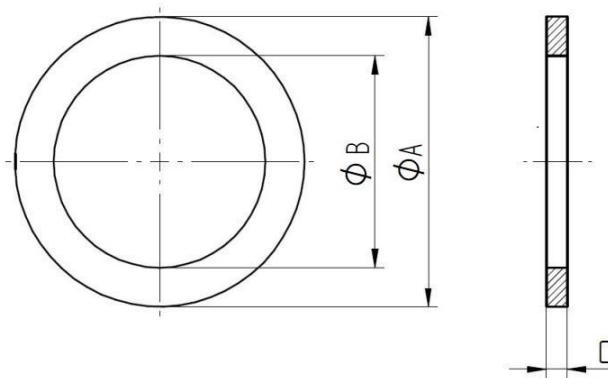
The SKINDICHT® JT PTFE PG sealing ring used for reliable sealing against oil, dust and water on the connecting thread of a gland or similar components. There is an extraordinary resistance against oil, water, acid, solvents and chemicals. Moreover this sealing ring is physiologically harmless and can be used in foodstuffs sector.



Technical features:

Material	PTFE
Sizes	PG7 up to PG48
Colour	White
Temperature range	-200 °C up to +260 °C

Norm references:



Article designation	Ø A [mm]	Ø B [mm]	C [mm]	Article No.
JT 7	16,5	12,5	2	53801035
JT 9	19	15,2	2	53801045
JT 11	22,5	18,6	2	53801055
JT 13,5	25	20,4	2	53801065
JT 16	27	22,5	2	53801075
JT 21	33,5	28,3	3	53801085
JT 29	43,5	37	3	53801095
JT 36	55	47	3	53801105
JT 42	63	54	3	53801115
JT 48	69	59,3	3	53801125

For more information please see our current catalogue. Please do not hesitate to contact our laboratory if there are any questions regarding resistance against aggressive agents and special oil.

Creator: T. Dvoulety /PDP Released: DAMU1/PDP	Document: DB53801035EN Version: 03	Page 1 of 1
--	---------------------------------------	-------------