

| | | |
|---------------------------|------------------------------------|---|
| 53113200 | DATA SHEET |  |
| Valid from: 09.09.2020 | SKINTOP® GRIP-M / GRIP-XL-M | |

The SKINTOP® GRIP-M is a double clamp strain relief cable gland. The cable gland is suitable for rough conditions and has an additional safety cable protection for bending and pulling out.

The SKINTOP® GRIP-M is a nickel plated brass cable gland with metric connection thread. Through the combination of lamellar design and double clamp strain relief, the cable gland is particularly suitable for use in plant constructions, in mobile devices and machinery and also in the cranes- and conveyor plant constructions.



Screw connection materials:

| | |
|------------------------------------|---------------------------------|
| Body: | Brass, nickel plated |
| Cap nut: | Brass, nickel plated |
| Clamp: | Brass, nickel plated |
| Insert: | Polyamide; V2 acc. to UL 94 |
| Seal insert for the lamellar cage: | CR/NBR (Ozone and UV-resistant) |
| O-Ring: | NBR (Ozone and UV-resistant) |

Technical characteristics:

| | |
|--------------------|--|
| Connecting thread: | M16x1.5 up to M32x1.5 acc. to EN 60423 |
| Protection class: | IP 68 -10 bar / 30min acc. to EN 60529 IP 69 acc. to EN 60529 |
| Strain relief: | Exceed the specification acc. to DIN EN 62444/category B |
| Temperature range: | Dynamic: -25°C up to +100°C Static: -40°C up to +100°C |

Features:

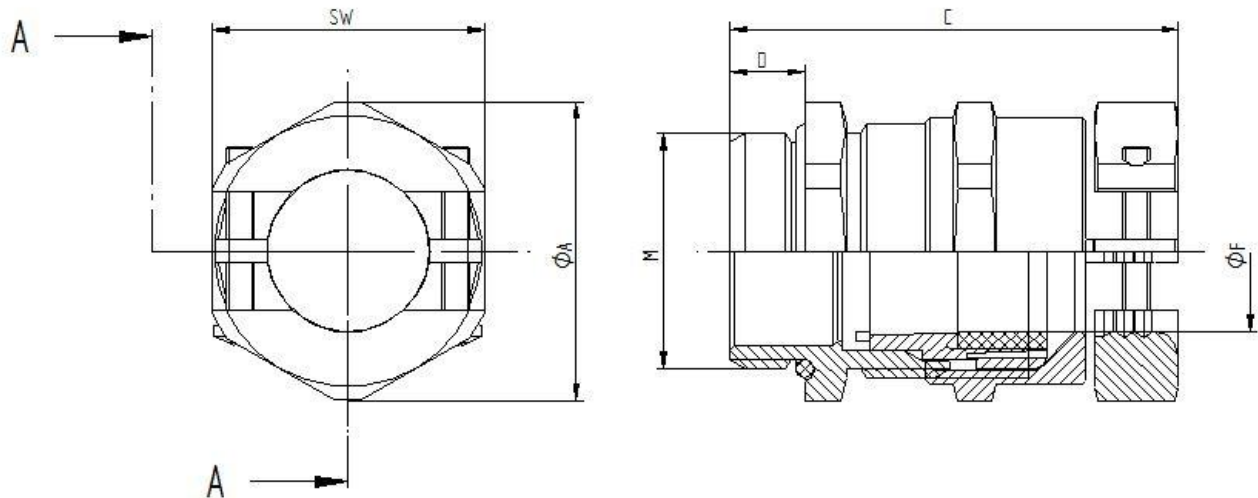
For high mechanical stress
High strain relief
Smooth clamping of the cable
Reliable bend protection

Norm Reference:



| | | |
|--|---------------------------------------|-------------|
| Creator: VACH1 /PDP Released: DAMU1/PDP | Document: DB53113200EN Version: 05 | Page 1 of 2 |
|--|---------------------------------------|-------------|

| | | |
|---------------------------|------------------------------------|---|
| 53113200 | DATA SHEET |  |
| Valid from: 09.09.2020 | SKINTOP® GRIP-M / GRIP-XL-M | |



SKINTOP® GRIP-M

| Thread (M) | SW | Ø A | C max. | D | Clamping range | O-ring | Part No. |
|---------------|----|------|-----------|---|----------------|--------|-----------|
| | | | | | Ø F | | |
| M16x1,5 | 20 | 22 | 41 | 7 | 4,5 - 10 | 13x2 | 5311 3180 |
| M20x1,5 | 24 | 26,4 | 46 | 8 | 7 - 13 | 17x2 | 5311 3200 |
| M25x1,5 | 29 | 31,9 | 48,5 | 8 | 9 - 17 | 22x2 | 5311 3210 |
| M32x1,5 | 36 | 93,6 | 56,6 | 9 | 11 - 21 | 28x2 | 5311 3220 |

SKINTOP® GRIP-XL-M

| Thread (M) | SW | Ø A | C max. | D | Clamping range | O-ring | Part No. |
|---------------|----|------|-----------|----|----------------|--------|-----------|
| | | | | | Ø F | | |
| M16x1,5 | 20 | 22 | 46 | 12 | 4,5 - 10 | 13x2 | 5311 3185 |
| M20x1,5 | 24 | 26,4 | 49,5 | 12 | 7 - 13 | 17x2 | 5311 3205 |
| M25x1,5 | 29 | 31,9 | 52,5 | 12 | 9 - 17 | 22x2 | 5311 3215 |
| M32x1,5 | 36 | 93,6 | 62,6 | 15 | 11 - 21 | 28x2 | 5311 3225 |

For more information please see our current catalogue. Please do not hesitate to contact our laboratory if there are any questions regarding resistance against aggressive agents and special oil.

| | | |
|--|---------------------------------------|-------------|
| Creator: VACH1 /PDP Released: DAMU1/PDP | Document: DB53113200EN Version: 05 | Page 2 of 2 |
|--|---------------------------------------|-------------|