


53112910	DATA SHEET	
Valid from: 02.12.2021	SKINTOP® MS-SC NPT	

The SKINTOP® MS-SC NPT a nickel-plated cable gland of brass with a NPT connecting thread especially designed for copper-screened cables is used to achieve a low-resistance screen contact, strain relief and high protection class. This gland is not qualified for cases twisting a gland after inserting the cable (e.g. circular connectors).



Components:

Gland body	Brass, nickel-plated
Cap nut	Brass, nickel-plated
Insert with lamellar cage	Polyamide
Sealing ring	CR (ozone- und UV-resistant)
Contact spring	CuBe, tin-plated
O-ring	NBR (ozone- und UV-resistant)

Technical features:

Connecting thread	NPT 3/8" up to NPT 1 1/2" acc. to ANSI/ASME B1.20.1-1983/1993
Protection class / NEMA Type Rating	IP68 - 10 bar, test acc. to EN 60529 NEMA Type 1, Type 4X, Type 6 and Type 12
Temperature range	Dynamic -25 °C up to +100 °C Statically -40 °C up to +100 °C

Approvals:




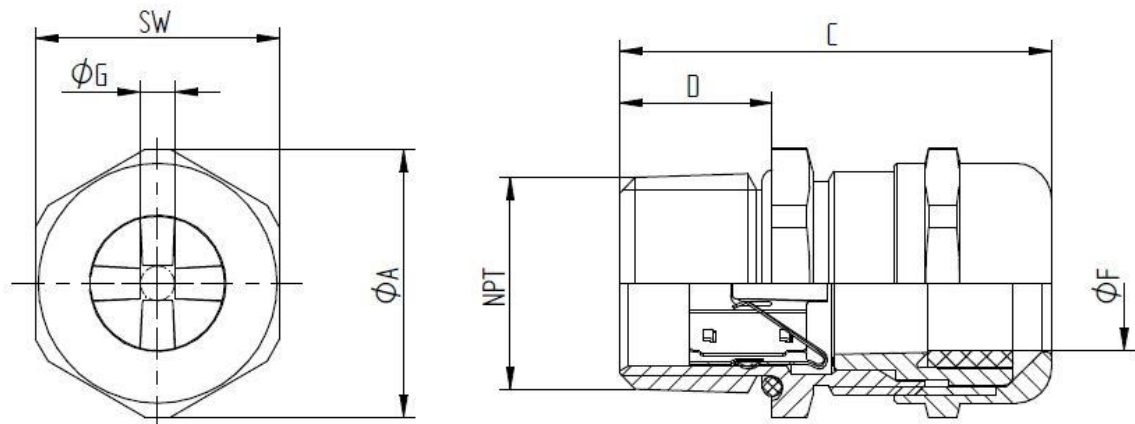
File Nr. E 79903
(Test in acc. to UL514B)

Norm references:



Creator: M. Wegerer /PDP Released: DAMU1/PDP	Document: DB53112910EN Version: 06	Page 1 of 2
---	---------------------------------------	-------------

53112910	DATA SHEET	
Valid from: 02.12.2021	SKINTOP® MS-SC NPT	



NPT	SW [mm]	Ø A [mm]	C max. [mm]	D [mm]	Ø F [mm] Clamping range	Ø G [mm] over braiding	O-ring [mm]	Article No.
NPT 3/8"	20	22,0	39,7	15	4,5-10	4,0	13x2	53112910
NPT 1/2"	24	26,4	42,5	15	7-13	5,0	17x2	53112920
NPT 3/4"	29	31,9	44,5	15	9-17	7,5	22x2	53112930
NPT 1"	36	39,6	49,0	15	11-21	9,0	28x2	53112940
NPT 1 1/4"	45	49,5	57,5	17	19-28	15,0	36x2,5	53112950
NPT 1 1/2"	54	59,0	61,5	17	27-35	21,0	43x2,5	53112960

Recommended tightening torque rates:

Size	Torque [Nm]
NPT 3/8"	10
NPT 1/2"	12
NPT 3/4"	12
NPT 1"	18
NPT 1 1/4"	18
NPT 1 1/2"	20

For more information please see our current catalogue. Please do not hesitate to contact our laboratory if there are any questions regarding resistance against aggressive agents and special oil.

Creator: M. Wegerer /PDP Released: DAMU1/PDP	Document: DB53112910EN Version: 06	Page 2 of 2
---	---------------------------------------	-------------