


| | | |
|---------------------------|---------------------------------|---|
| 5311 2686 | DATA SHEET |  |
| Valid from: 18.11.2022 | SKINTOP® CLICK / CLICK-R | |

The polyamide-based SKINTOP® CLICK / CLICK-R with its snap-system enables very fast and easy installation and the integral locking features guarantees permanent vibration resistance. It is designed for use, above all for particular functional safety in manufacturing of machines and equipment, in measuring, controlling and automation, in electronic technology, switch cabinet technology.



Material:

| | |
|-------------------------------------|----------------------------------|
| Gland body | Polyamide |
| Cap nut | Polyamide |
| Sealing insert | Elastomer |
| Pressure nut | Polyamide, fibreglass reinforced |
| Sealing flat washer (Ø12 up to Ø25) | Elastomer |
| O-Ring (Ø32) | NBR |

Technical Features:

| | |
|---------------------|---|
| Connecting diameter | Ø12 up to Ø32 |
| Protection class | Size Ø12: IP68 – 4bar/30min acc. to EN 60529 Size Ø16 up to Ø25: IP68 – 5bar/30min acc. to EN 60529 Size Ø32: IP68 – 1bar/30min acc. to EN 60529 All Sizes: Type 1 and Type 12, acc. to UL50E Categories A acc. to EN 62444 |
| Strain relief | CLICK Standard CLICK-R Standard with reducing |
| Design | Dynamic -20°C up to +100°C Static -40°C up to +100°C |
| Temperature range | Recommended mounting temperature +20±5°C |

Additional features:

| | |
|---------------------|---|
| Fire Classification | V2 acc. to UL 94 |
| UV-resistant | SKINTOP® CLICK / CLICK-R black acc. to ISO 4892-2 |

Color:

Black, RAL 9005
Silver-grey, RAL 7001
Light grey, RAL 7035

Approbation:




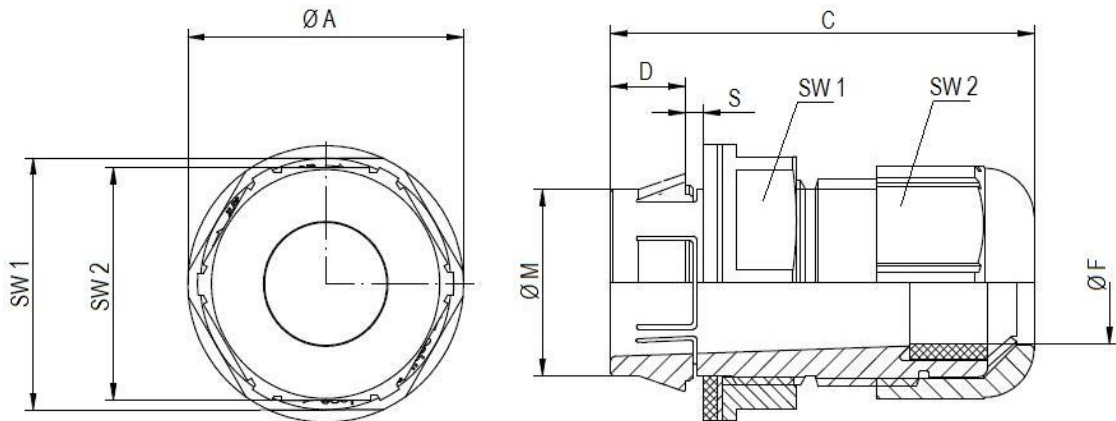
File Nr. E79903
(Test in acc. to UL514B)

Reference Standards:



| | | |
|-------------------------------------|---------------------------------------|-------------|
| Creator: PDP Released: DAMU1/PDP | Document: DB53112686EN Version: 16 | Page 1 of 3 |
|-------------------------------------|---------------------------------------|-------------|

| | | |
|---------------------------|---------------------------------|---|
| 5311 2686 | DATA SHEET |  |
| Valid from: 18.11.2022 | SKINTOP® CLICK / CLICK-R | |



SKINTOP® CLICK


| Size | Ø M [mm] Installation hole | SW1 / SW2 [mm] | Ø A [mm] | C [mm] | D [mm] | Ø F [mm] Clamping range | S [mm] Wall thickness | Part No. | | |
|------|-------------------------------|----------------|----------|--------|--------|----------------------------|--------------------------|----------|----------|----------|
| | | | | | | | | RAL 7035 | RAL 7001 | RAL 9005 |
| Ø 12 | Ø 12,3 _{-0,2} | 18 / 15 | 20,0 | 40 | 8 | 4,5-7 | 1-4 | 53112692 | 53112921 | 53112923 |
| Ø 16 | Ø 16,3 _{-0,2} | 22 / 19 | 24,2 | 42 | 8 | 5-9 | 1-4 | 53112686 | 53112876 | 53112882 |
| Ø 20 | Ø 20,3 _{-0,2} | 27 / 25 | 29,7 | 45 | 8 | 7-13 | 1-4 | 53112687 | 53112877 | 53112883 |
| Ø 25 | Ø 25,3 _{-0,2} | 32 / 30 | 35,2 | 48 | 8 | 9-17 | 1-4 | 53112688 | 53112878 | 53112884 |
| Ø 32 | Ø 32,3 _{-0,2} | 40 / 36 | 44,0 | 56 | 8 | 11-20 | 1-4 | 53112694 | 53112922 | 53112924 |

SKINTOP® CLICK-R

| Size | Ø M [mm] Installation hole | SW1 / SW2 [mm] | Ø A [mm] | C [mm] | D [mm] | Ø F [mm] Clamping range | S [mm] Wall thickness | Part No. | | |
|------|-------------------------------|----------------|----------|--------|--------|----------------------------|--------------------------|----------|----------|----------|
| | | | | | | | | RAL 7035 | RAL 7001 | RAL 9005 |
| Ø 12 | Ø 12,3 _{-0,2} | 18 / 15 | 20,0 | 40 | 8 | 3,5-5 | 1-4 | 53112925 | 53112927 | 53112929 |
| Ø 16 | Ø 16,3 _{-0,2} | 22 / 19 | 24,2 | 42 | 8 | 4-7 | 1-4 | 53112689 | 53112879 | 53112885 |
| Ø 20 | Ø 20,3 _{-0,2} | 27 / 25 | 29,7 | 45 | 8 | 5-10 | 1-4 | 53112690 | 53112880 | 53112886 |
| Ø 25 | Ø 25,3 _{-0,2} | 32 / 30 | 35,2 | 48 | 8 | 6-13 | 1-4 | 53112691 | 53112881 | 53112887 |
| Ø 32 | Ø 32,3 _{-0,2} | 40 / 36 | 44,0 | 56 | 8 | 7-15 | 1-4 | 53112926 | 53112928 | 53112931 |

For more information please see our current catalogue. Please do not hesitate to contact our laboratory if there are any questions regarding resistance against aggressive agents and special oil.

| | | |
|-------------------------------------|---------------------------------------|-------------|
| Creator: PDP Released: DAMU1/PDP | Document: DB53112686EN Version: 16 | Page 2 of 3 |
|-------------------------------------|---------------------------------------|-------------|

| | | |
|---------------------------|---------------------------------|---|
| 5311 2686 | DATA SHEET |  |
| Valid from: 18.11.2022 | SKINTOP® CLICK / CLICK-R | |

| | | |
|-------------------------------------|---------------------------------------|-------------|
| Creator: PDP Released: DAMU1/PDP | Document: DB53112686EN Version: 16 | Page 3 of 3 |
|-------------------------------------|---------------------------------------|-------------|