
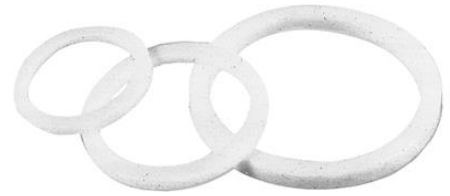


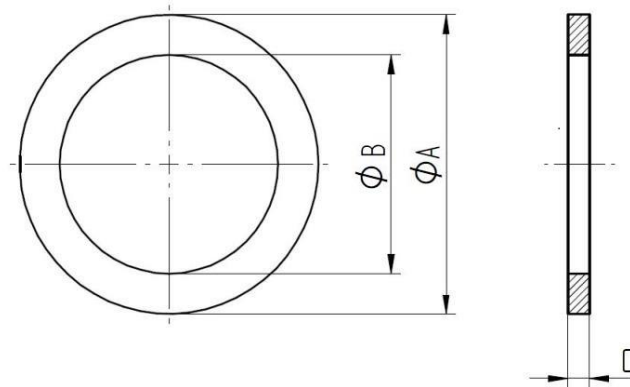
53801030	<b>DATA SHEET</b>	
Valid from: 25.06.2020	<b>SKINDICHT® JT PTFE metric</b>	

The SKINDICHT® JT PTFE metric sealing ring can be used for reliable sealing against oil, dust and water on the connecting thread of a cable gland or similar components. There is an extraordinary resistance against oil, water, acid, solvents and chemicals. Moreover, the sealing ring is physiologically harmless and can be used in foodstuffs sector.



**Technical features:**

Material	PTFE
Sizes	M12 up to M63
Colour	White
Temperature range	-200 °C up to +260 °C



Article designation	Ø A [mm]	Ø B [mm]	C [mm]	Article No.
JT M12	16,6	12,1	2	53801030
JT M16	21,1	16,1	2	53801040
JT M20	27,5	20,1	2	53801050
JT M25	33,4	25,1	3	53801060
JT M32	40,3	32,1	3	53801070
JT M40	51,5	40,2	3	53801080
JT M50	61,6	50,2	3	53801090
JT M63	73,9	63,2	3	53801100

For more information please see our current catalogue. Please do not hesitate to contact our laboratory if there are any questions regarding resistance against aggressive agents and special oil.

Creator: T. Dvoulety /PDP Released: DAMU1/PDP	Document: DB53801030EN Version: 03	Page 1 of 1
--	---------------------------------------	-------------