


5311 2530	DATA SHEET	
Valid from: 18.12.2020	SKINTOP® MS-HF-M SC	

The SKINTOP® MS-HF-M SC is a nickel-plated brass cable gland especially designed for copper-screened cables and is used to achieve a low-resistance screen contact, strain relief and high protection class.
The gland is not qualified for cases where it is necessary to twist a cable gland after inserting the cable (e.g. circular connectors).



Material:

Gland body	Brass, nickel-plated
Cap nut	Brass, nickel-plated
Insert with lamellar cage	Polyamide 6
Seal insert	Elastomer
Contact spring	CuBe, tin-plated
O-Ring	Elastomer

Technical Features:

Connecting thread	M12x1,5 up to M50x1,5 acc. to EN 60423
Protection class	IP68 – 10bar/30min acc. to EN 60529
Strain relief	Categories A acc. to EN 62444
Design	ST = Standard
Temperature range	Dynamic -25°C up to +100°C Static -40°C up to +100°C

Additional features:

Fire Classification	V0 acc. to UL 94
Free of Halogen	
Hazard Level	HL3 (R22 and R23) acc. to EN 45545-2
Fire resistance	E30 acc. to EN 45545-3
Transfer impedance	≤ 10 mOhm
Shielding attenuation	up to 98dB
Corrosion-protection class	C4

Reference Standards:




EN 62444

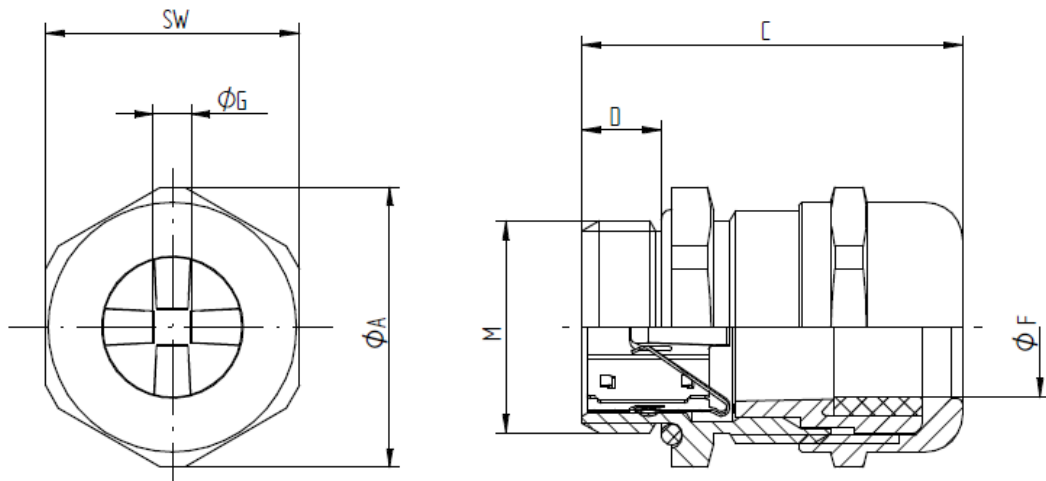
Suitable accessories:

SKINDICHT® SM-PE-M

For more information please see our current catalogue. Please do not hesitate to contact our laboratory if there are any questions regarding resistance against aggressive agents and special oil.

Creator: MAU1/PDP Released: DAMU1/PDP	Document: DB53112530EN Version: 04	Page 1 of 2
--	---------------------------------------	-------------

5311 2530	DATA SHEET	
Valid from: 18.12.2020	SKINTOP® MS-HF-M SC	



SKINTOP® MS-HF-M SC

M	SW [mm]	Ø A [mm]	C max. [mm]	D [mm]	Ø F [mm] Clamping range	Ø G [mm]	O-Ring [mm]	Article No.
M12x1,5	16	17,6	26,5	6,5	3,5-7	1,0	9x2	5311 2530
M16x1,5	20	22,0	33,0	7,0	4,5-9	4,0	13x2	5311 2531
M20x1,5	24	26,4	37,0	8,0	7-13	5,0	17x2	5311 2532
M25x1,5	29	31,9	38,5	8,0	9-17	7,5	22x2	5311 2533
M32x1,5	36	39,6	45,5	9,0	11-21	9,0	28x2	5311 2534
M40x1,5	45	49,5	48,0	9,0	19-28	15,0	36x2	5311 2535
M50x1,5	54	59,0	55,5	10,0	27-35	21,0	46x2	5311 2536

Recommended torque rates in acc. to EN 62444:

Sizes	Torque [Nm]
M12x1,5	8
M16x1,5	10
M20x1,5 - M25x1,5	12
M32x1,5 - M40x1,5	18
M50x1,5	20

For more information please see our current catalogue. Please do not hesitate to contact our laboratory if there are any questions regarding resistance against aggressive agents and special oil.

Creator: MAU1/PDP Released: DAMU1/PDP	Document: DB53112530EN Version: 04	Page 2 of 2
--	---------------------------------------	-------------