


53112037	<b>DATA SHEET</b>	
Valid from: 02.12.2021	<b>SKINTOP® MS-NPT BRUSH</b>	

The SKINTOP® MS-NPT BRUSH is a nickel-plated brass cable gland designed especially for copper-screened cables, used to achieve a low-resistance screen contact, strain relief and high protection class. The SKINTOP® MS-NPT BRUSH contacts the screen much faster than any other system.



### Components:

Gland body	Brass, nickel-plated
Cap nut	Brass, nickel-plated
Insert with lamellar cage	Polyamide
Sealing ring	CR
Contact brush	Brass wire
O-ring	NBR

### Technical features:

Connecting thread	NPT ¾" up to NPT 2" acc. to ANSI B 1.20.1 1983/1993
Protection class / NEMA Type Rating	IP68 – 10 bar, test acc. to EN 60529 IP69 acc. to EN 60529 (except for NPT 2" plus) NEMA Type 1, Type 4X, Type 6 and Type 12 (does not apply for NPT 2")
Temperature range	Dynamic      -25 °C up to +100 °C Statically    -40 °C up to +100 °C

### Approvals:




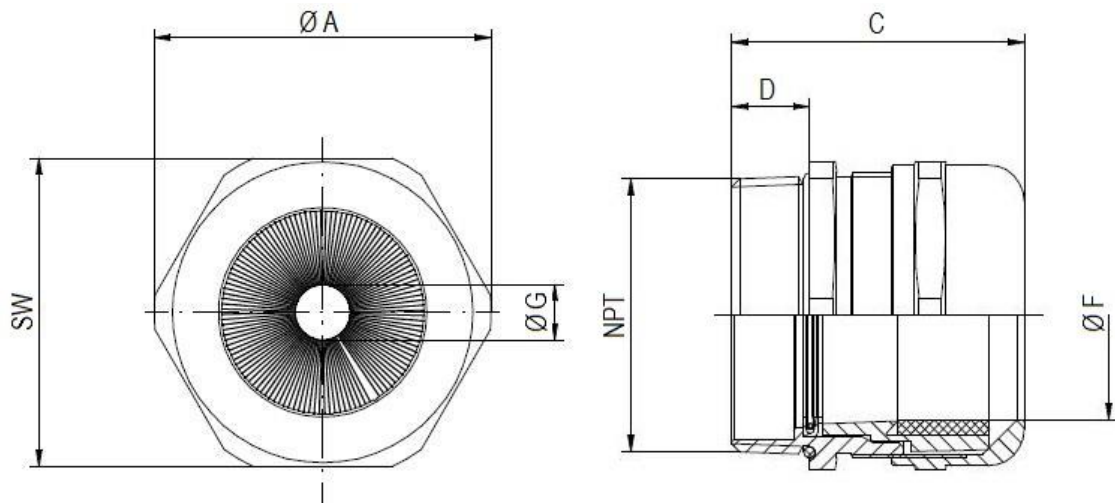
UL File Nr. 79903  
(Test in acc. to UL514B)

### Norm references:



Creator: M. Wegerer /PDP Released: DAMU1/PDP	Document: DB53112037EN Version: 05	Page 1 of 2
---	---------------------------------------	-------------

53112037	<b>DATA SHEET</b>	
Valid from: 02.12.2021	<b>SKINTOP® MS-NPT BRUSH</b>	



NPT	SW [mm]	Ø A [mm]	C [mm]	D [mm]	Ø F [mm] Clamping range	Ø G [mm] over braiding	O-Ring [mm]	Artikel-Nr.
NPT 3/4"	29	31,9	43,0	15	9-17	6-13,5	22x2	53112037
NPT 1"	36	39,6	48,2	15	11-21	8-18	28x2	53112047
NPT 1 1/4"	45	49,5	57,5	17	19-28	10-26	36x2,5	53112057
NPT 1 1/2"	54	59,0	59,0	17	27-35	14-36	43x2,5	53112067
NPT 2"	67	73,5	63,3	17	34-45	20-40	54x2,5	53112077
NPT 2" plus	75	83,9	72,5	17	44-55	25-47	54x2,5	53112087

### Recommended torque rates:

Size	Torque [Nm]
NPT 3/4"	12,0
NPT 1"	18,0
NPT 1 1/4"	18,0
NPT 1 1/2"	20,0
NPT 2"	20,0
NPT 2" plus	25,0

For more information please see our current catalogue. Please do not hesitate to contact our laboratory if there are any questions regarding resistance against aggressive agents and special oil.

Creator: M. Wegerer /PDP Released: DAMU1/PDP	Document: DB53112037EN Version: 05	Page 2 of 2
---	---------------------------------------	-------------