


5550 6905	DATA SHEET	
Valid from: 22.12.2020	SILVYN[®] FCL	

SILVYN[®] FCL is a one part conduit holder with integrated lid made of polyamide. The conduit holder is used to fix and lead parallel corrugated conduits. An internal rib secures the conduit from pulling through ensuring a neat installation. The holder can disassemble by a screwdriver.



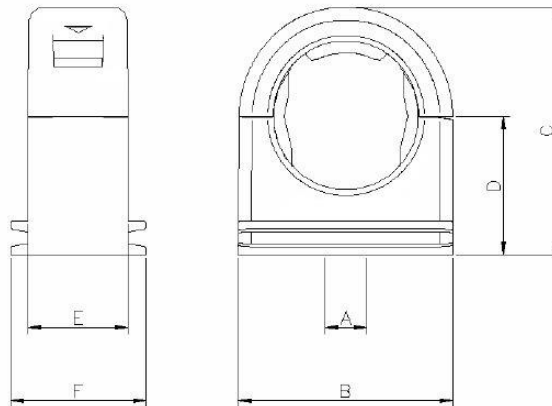
Material:	Polyamide 66
Technical Features:	
Connecting screw	M5 / M6
Nominal wide	NW 10 up to NW 54
Temperature range	-50°C up to +135°C
Additional features:	
Free of halogen, sulphur and phosphorus	
UV-Resistant	SILVYN [®] FCL black
Colour:	Grey Black
Approbation:	
Reference standards:	EN 61386-1
Suitable conduits:	SILVYN [®] FPAS

For more information please see our current catalogue. Please do not hesitate to contact our laboratory if there are any questions regarding resistance against aggressive agents and special oil.

Creator: MAU1/PDP Released: DAMU1/PDP	Document: DB55506905EN Version: 03	Page 1 of 2
--	---------------------------------------	-------------

5550 6905	DATA SHEET	
Valid from: 22.12.2020	SILVYN® FCL	

Product drawing:



Dimension table:

Part No.	NW	Screw ØA mm	B mm	C mm	D mm	E mm	F mm	Pull off strength N	Pull through strength N
SILVYN® FCL Grey									
5550 6900	10	M5	23,0	26,0	15,0	12,0	20,0	450	100
5550 6910	13	M5	23,0	26,0	15,0	12,0	20,0	450	100
5550 6920	16	M5	26,0	30,0	17,0	12,0	20,0	500	100
5550 6980	18	M6	32,0	36,0	20,0	15,0	20,0	600	200
5550 7400	20	M6	32,0	36,0	20,0	15,0	20,0	600	200
5550 6930	21	M6	32,0	36,0	20,0	15,0	20,0	600	200
5550 7410	25	M6	41,0	45,0	24,0	15,0	20,0	700	350
5550 6940	28	M6	41,0	45,0	24,0	15,0	20,0	700	350
5550 6949	32	M6	48,0	51,0	27,0	15,0	20,0	800	500
5550 6950	34	M6	48,0	51,0	27,0	15,0	20,0	800	500
5550 6960	42	M6	57,0	60,0	31,0	15,0	20,0	1000	500
5550 6970	54	M6	70,0	72,0	37,0	15,0	20,0	1200	500
SILVYN® FCL Black									
5550 6905	10	M5	23,0	26,0	15,0	12,0	20,0	450	100
5550 6915	13	M5	23,0	26,0	15,0	12,0	20,0	450	100
5550 6925	16	M5	26,0	30,0	17,0	12,0	20,0	500	100
5550 6985	18	M6	32,0	36,0	20,0	15,0	20,0	600	200
5550 7405	20	M6	32,0	36,0	20,0	15,0	20,0	600	200
5550 6935	21	M6	32,0	36,0	20,0	15,0	20,0	600	200
5550 7415	25	M6	41,0	45,0	24,0	15,0	20,0	700	350
5550 6945	28	M6	41,0	45,0	24,0	15,0	20,0	700	350
5550 6854	32	M6	48,0	51,0	27,0	15,0	20,0	800	500
5550 6955	34	M6	48,0	51,0	27,0	15,0	20,0	800	500
5550 6965	42	M6	57,0	60,0	31,0	15,0	20,0	1000	500
5550 6975	54	M6	70,0	72,0	37,0	15,0	20,0	1200	500