


55506585	<b>DATA SHEET</b>	
Valid from: 03.07.2018	<b>SILVYN® FPAG</b>	

SILVYN® FPAG-M is a conduit gland with a fast fit for a safety assembling.  
 For the demounting we are recommending to use a screwdriver.  
 The gland is suitable for SILVYN® FPAS and can be used in the machine- and plant constructions.



**Material:** PA 66

**Features:** Fast assembly  
 Anti-vibration  
 Suitable for fine and coarse conduits  
 High mechanical strength

**Temperature range:** -50°C up to +135°C


**Colour:** Grey  
 Black (UV-Resistant)

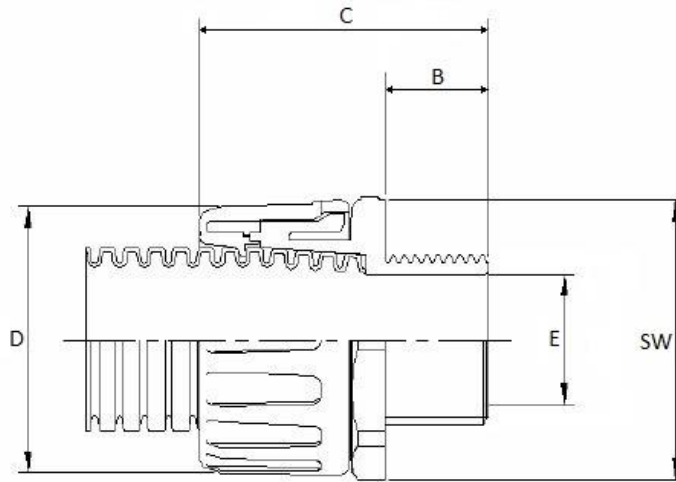
**Norm Reference:**    **UL FILE NUMBER E308201**

**Note:** Free of Halogen, Sulphur and Phosphorous

**Protection class:** IP 66

Creator: M. Wegerer /PDP Released: DAMU1/PDP	Document: DB55506585EN Version: 02	Page 1 of 2
---	---------------------------------------	-------------

55506585	<b>DATA SHEET</b>	
Valid from: 03.07.2018	<b>SILVYN® FPAG</b>	



**Dimension table:**

Part No.	Part Name	NW	Length C mm	Thread Length B mm	Inner Ø E mm	Outer Ø D mm	SW
<b>Grey</b>							
5550 6580	SILVYN FPAG PG 7 GY	10	33	9	7,5	19	19
5550 6590	SILVYN FPAG PG 9/1 GY	10	35	11	9,5	19	19
5550 6600	SILVYN FPAG PG 9/2 GY	13	37	11	11	24	23
5550 6610	SILVYN FPAG PG 9/3 GY	16	41	11	11	29	28
5550 6620	SILVYN FPAG PG 11 GY	16	40	10	14,5	29	28
5550 6630	SILVYN FPAG PG 13,5/1 GY	16	40	10	14,5	29	28
5550 6640	SILVYN FPAG PG 13,5/2 GY	18	40	10	16,5	32	30
5550 6990	SILVYN FPAG PG 13,5/3 GY	21	40	10	16,5	32	30
5550 6650	SILVYN FPAG PG 16 GY	21	41	11	18	32	30
5550 6660	SILVYN FPAG PG 21 GY	28	46	12	22,5	44	42
5550 6670	SILVYN FPAG PG 29 GY	34	49	12	30,5	51	49
5550 6680	SILVYN FPAG PG 36 GY	42	56	12	40	63	60
5550 6690	SILVYN FPAG PG 48/1 GY	54	61	12	52	76	73
5550 6700	SILVYN FPAG PG 48/2 GY	67	66	12	52	90	87
<b>Black</b>							
5550 6585	SILVYN FPAG PG 7 BK	10	33	9	7,5	19	19
5550 6595	SILVYN FPAG PG 9/1 BK	10	35	11	9,5	19	19
5550 6605	SILVYN FPAG PG 9/2 BK	13	37	11	11	24	23
5550 6615	SILVYN FPAG PG 9/3 BK	16	41	11	11	29	28
5550 6625	SILVYN FPAG PG 11 BK	16	40	10	14,5	29	28
5550 6635	SILVYN FPAG PG 13,5/1 BK	16	40	10	14,5	29	28
5550 6645	SILVYN FPAG PG 13,5/2 BK	18	40	10	16,5	32	30
5550 6995	SILVYN FPAG PG 13,5/3 BK	21	40	10	16,5	32	30
5550 6655	SILVYN FPAG PG 16 BK	21	41	11	18	32	30
5550 6665	SILVYN FPAG PG 21 BK	28	46	12	22,5	44	42
5550 6675	SILVYN FPAG PG 29 BK	34	49	12	30,5	51	49
5550 6685	SILVYN FPAG PG 36 BK	42	56	12	40	63	60
5550 6695	SILVYN FPAG PG 48/1 BK	54	61	12	52	76	73
5550 6705	SILVYN FPAG PG 48/2 BK	67	66	12	52	90	87

For more information please see our current catalogue. Please do not hesitate to contact our laboratory if there are any questions regarding resistance against aggressive agents and special oil.

Creator: M. Wegerer /PDP Released: DAMU1/PDP	Document: DB55506585EN Version: 02	Page 2 of 2
---	---------------------------------------	-------------