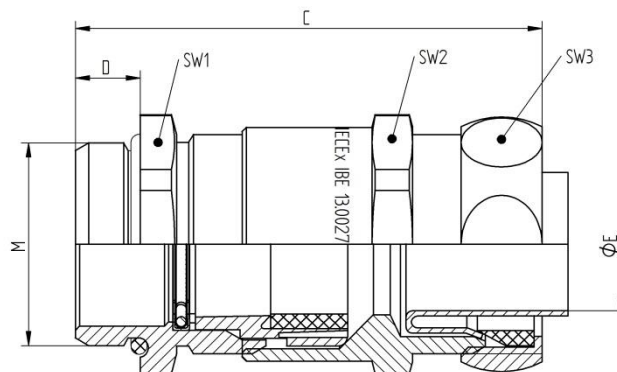


|                           |                                 |   |
|---------------------------|---------------------------------|---|
| 55506042                  | <b>DATA SHEET</b>               |  |
| Valid from:<br>03.07.2018 | <b>SILVYN® MSK-M ATEX BRUSH</b> |   |

The SILVYN® MSK-M ATEX BRUSH is a multifunction conduit cable gland, which is especially developed for copper-screened cables and is used to achieve a low-resistance screen contact, strain relief and high protection class in potentially explosive areas. Through the optimum 360° screen contact, SILVYN® MSK-M ATEX BRUSH offers an innovative solution in EMC- as well as EX-areas. Furthermore, this multifunction conduit cable gland is utilized in applications, where cables and conduits need to be sealed and strain relieved concurrently.



| Article-number                      | Article Designation                 | Connection Thread M | Length Connection Thread D | SW 1 | SW 2 | SW 3 | Total Length C | Pieces / PU |
|-------------------------------------|-------------------------------------|---------------------|----------------------------|------|------|------|----------------|-------------|
| <b>SILVYN® MSK-M ATEX BRUSH</b>     |                                     |                     |                            |      |      |      |                |             |
| 55506042                            | SILVYN® MSK-M 25x1,5 AS ATEX BRUSH  | M 25                | 8                          | 29   | 29   | 29   | 55,5           | 10,0        |
| 55506043                            | SILVYN® MSK-M 32x1,5 AS ATEX BRUSH  | M 32                | 9                          | 36   | 36   | 36   | 71,5           | 1,0         |
| 55506044                            | SILVYN® MSK-M 40x1,5 AS ATEX BRUSH  | M 40                | 9                          | 45   | 45   | 45   | 75,5           | 1,0         |
| 55506045                            | SILVYN® MSK-M 50x1,5 AS ATEX BRUSH  | M 50                | 10                         | 54   | 54   | 54   | 81             | 1,0         |
| 55506030                            | SILVYN® MSK-M 63x1,5 AS ATEX BRUSH  | M 63                | 15                         | 67   | 67   | 66   | 87             | 1,0         |
| <b>SILVYN® MSK-M EDU ATEX BRUSH</b> |                                     |                     |                            |      |      |      |                |             |
| 55506031                            | SILVYN® MSK-M 25x1,5 EDU ATEX BRUSH | M 25                | 8                          | 29   | 29   | 29   | 55,5           | 10,0        |
| 55506032                            | SILVYN® MSK-M 32x1,5 EDU ATEX BRUSH | M 32                | 9                          | 36   | 36   | 36   | 71,5           | 1,0         |
| 55506033                            | SILVYN® MSK-M 40x1,5 EDU ATEX BRUSH | M 40                | 9                          | 45   | 45   | 45   | 75,5           | 1,0         |
| 55506034                            | SILVYN® MSK-M 50x1,5 EDU ATEX BRUSH | M 50                | 10                         | 54   | 54   | 54   | 81             | 1,0         |
| 55506035                            | SILVYN® MSK-M 63x1,5 EDU ATEX BRUSH | M 63                | 15                         | 67   | 67   | 66   | 87             | 1,0         |

|                           |                                 |   |
|---------------------------|---------------------------------|---|
| 55506042                  | <b>DATA SHEET</b>               |  |
| Valid from:<br>03.07.2018 | <b>SILVYN® MSK-M ATEX BRUSH</b> |   |

**The multi-conduit cable gland consists of:**

|                |   |
|----------------|---|
| Body           | Nickel Plated Brass                     |
| O-Ring         | Nitrile Rubber (NBR)                    |
| EMC-Brush      | Brass                                   |
| PA-Insert      | Polyamide (PA 6)                        |
| Seal           | Polychloroprene-Nitrile Rubber (CR/NBR) |
| Cap Nut        | Nickel plated brass                     |
| End Grommet    | Nickel Plated Brass                     |
| Seal TPE       | Thermoplastic Elastomer (TPE)           |
| Screw-Down Nut | Nickel Plated Brass                     |

**Characteristics:**

**Connecting Thread:** Metric, according to EN 50262

**Temperature:** -30°C up to +90°C

**Protection Rating:** IP 68; toward conduit: IP 40 in combination with

SILVYN® AS  
SILVYN® EDU-AS  
SILVYN® EMC AS-CU

**Approvals:** CE 0637 Ex II 2G  
Ex eb IIC Ex II 1D  
Ex ta IIIC  
IECEx IBE 13.0033X

**Suitable Conduits:**

- SILVYN® AS
- SILVYN® EDU-AS
- SILVYN® EMC AS-CU

For more information please see our current catalogue. Please do not hesitate to contact our laboratory if there are any questions regarding resistance against aggressive agents and special oil.

|                                     |                                       |             |
|-------------------------------------|---------------------------------------|-------------|
| Creator: PDP<br>Released: DAMU1/PDP | Document: DB55506042EN<br>Version: 01 | Page 2 of 2 |
|-------------------------------------|---------------------------------------|-------------|