


55502631	DATA SHEET	
Valid from: 07.03.2019	SILVYN[®] US-M EDU-AS / EMC AS-CU SILVYN[®] US EDU-AS / EMC AS-CU	

SILVYN[®] US-M EDU-AS/EMC AS-CU / SILVYN[®] US EDU-AS/EMC AS-CU is a metal connector with metric and PG connecting thread, with a metal sleeve.
The connector is universally useable and has a high dust and fluid protection.



Material:

Body	Brass, nickel plated
Pressure nut	Brass, nickel plated
Sealing ring	TPE
Sleeve	Brass
O-ring	NBR

Technical features:

Connecting thread	M10x1,5 up to M63x1,5 acc. to DIN EN 60423 PG 7 up to PG 48 acc. to DIN 40430
Nominal width	NW 10 up to NW 56
Protection class	IP 40
Temperature range	Depending on the used conduit -40°C up to +125°C



Approvals:

Reference standards:


DIN EN 61386-23

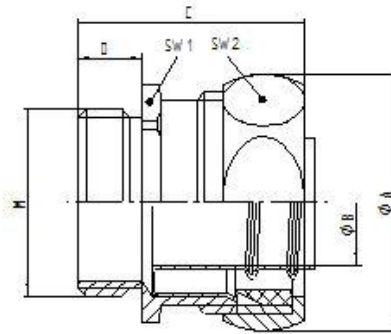
Suitable Conduits:

SILVYN[®] EDU-AS
SILVYN[®] EMC AS-CU

For more information please see our current catalogue. Please do not hesitate to contact our laboratory if there are any questions regarding resistance against aggressive agents and special oil.

Creator: MAU1 /PDP Released: DAMU1/PDP	Document: DB55502631EN Version: 00	Page 1 of 2
---	---------------------------------------	-------------

55502631	DATA SHEET	
Valid from: 07.03.2019	SILVYN® US-M EDU-AS / EMC AS-CU SILVYN® US EDU-AS / EMC AS-CU	



Dimension table:

Part No.	Thread	NW	Length C mm	Thread length D mm	Outer Ø A mm	Inner Ø B mm	SW 1	SW 2
SILVYN® US-M EDU-AS / EMC AS-CU								
5550 2631	M 10x1,5	10	31,0	10,0	19,0	6,0	15	17
5550 2642	M 12x1,5	14	33,0	10,0	23,0	8,5	19	21
5550 2633	M 16x1,5	17	33,0	10,0	27,0	11,0	23	25
5550 2634	M 20x1,5	21	33,0	10,0	31,0	15,5	27	29
5550 2636	M 25x1,5	27	41,0	11,0	39,0	20,5	34	36
5550 2646	M 32x1,5	36	43,0	13,0	48,0	27,5	43	45
5550 2638	M 40x1,5	45	43,0	13,0	57,0	35,0	52	54
5550 2639	M 50x1,5	56	49,0	14,0	70,0	45,0	63	66
5550 2641	M 63x1,5	56	49,0	14,0	74,0	47,5	70	70
SILVYN® US EDU-AS / EMC AS-CU								
5550 2680	PG 7	10	28,0	7,0	19,0	6,0	15	17
5550 2689	PG 9	14	30,0	7,0	23,0	8,5	19	21
5550 2682	PG 11	17	30,0	7,0	27,0	11,5	23	25
5550 2683	PG 13,5	19	30,0	7,0	29,0	13,5	25	27
5550 2684	PG 16	21	30,0	7,0	31,0	15,5	27	29
5550 2685	PG 21	27	40,0	10,0	39,0	20,5	34	36
5550 2694	PG 29	36	40,0	10,0	48,0	27,5	43	45
5550 2687	PG 36	45	40,0	10,0	57,0	36,5	52	54
5550 2688	PG 48	56	45,0	10,0	70,0	47,5	63	66