

55502642	<b>DATA SHEET</b>	
Valid from: 07.03.2019	<b>SILVYN® US-M FPS-EDU / SILVYN® US FPS-EDU</b>	

SILVYN® US-M FPS-EDU / SILVYN® US FPS-EDU is a metal connector with metric and PG connecting thread, with a metal sleeve.  
The connector is universally useable and has a high dust and fluid protection.



**Material:**

Body	Brass, nickel plated
Pressure nut	Brass, nickel plated
Sealing ring	TPE
Sleeve	Brass
O-ring	NBR

**Technical features:**

Connecting thread	M12x1,5 up to M63x1,5 acc. to DIN EN 60423 PG 9 up to PG 48 acc. to DIN 40430
Nominal width	NW 10 up to NW 56
Protection class	IP 54 Depending on the used conduit
Temperature range	-40°C up to +125°C



**Approvals:**

**Reference standards:**

DIN EN 61386-23

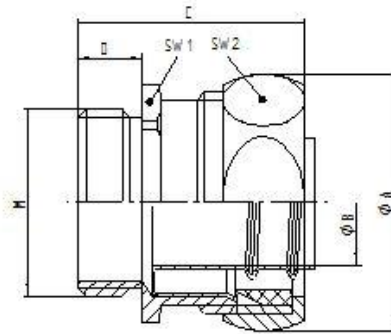
**Suitable Conduits:**

SILVYN® FPS-EDU

For more information please see our current catalogue. Please do not hesitate to contact our laboratory if there are any questions regarding resistance against aggressive agents and special oil.

Creator: MAU1 /PDP Released: DAMU1/PDP	Document: DB55502642EN Version: 00	Page 1 of 2
---	---------------------------------------	-------------

55502642	<b>DATA SHEET</b>	
Valid from: 07.03.2019	<b>SILVYN® US-M FPS-EDU / SILVYN® US FPS-EDU</b>	



**Dimension table:**

Part No.	Thread	NW	Length C mm	Thread length D mm	Outer Ø A mm	Inner Ø B mm	SW 1	SW 2
<b>SILVYN® US-M FPS-EDU</b>								
5550 2642	M 12x1,5	14	33,0	10,0	23,0	8,5	19	21
5550 2643	M 16x1,5	17	33,0	10,0	27,0	11,0	23	25
5550 2644	M 20x1,5	21	33,0	10,0	31,0	14,5	27	29
5550 2645	M 25x1,5	27	41,0	11,0	39,0	19,5	34	36
5550 2646	M 32x1,5	36	43,0	13,0	48,0	27,5	43	45
5550 2647	M 40x1,5	45	43,0	13,0	57,0	35,0	52	54
5550 2648	M 50x1,5	56	49,0	14,0	70,0	45,0	63	66
5550 2649	M 63x1,5	56	49,0	14,0	74,0	46,5	70	70
<b>SILVYN® US FPS-EDU</b>								
5550 2689	PG 9	14	30,0	7,0	23,0	8,5	19	21
5550 2690	PG 11	17	30,0	7,0	27,0	11,0	23	25
5550 2691	PG 13,5	19	30,0	7,0	29,0	13,0	25	27
5550 2692	PG 16	21	30,0	7,0	31,0	14,5	27	29
5550 2693	PG 21	27	40,0	10,0	39,0	19,5	34	36
5550 2694	PG 29	36	40,0	10,0	48,0	27,5	43	45
5550 2696	PG 36	45	40,0	10,0	57,0	35,5	52	54
5550 2697	PG 48	56	45,0	10,0	70,0	47,0	63	66