

55502621	DATA SHEET	
Valid from: 07.03.2019	SILVYN® US-M AS-P / SILVYN® US AS-P	

SILVYN® US-M AS-P / SILVYN® US AS-P is a metal connector with metric and PG connecting thread, with a metal sleeve.

The connector is universally useable and has a high dust and fluid protection.



Material:

Body	Brass, nickel plated
Pressure nut	Brass, nickel plated
Sealing ring	TPE
Sleeve	Brass
O-ring	NBR

Technical features:

Connecting thread	M10x1,5 up to M63x1,5 acc. to DIN EN 60423 PG 7 up to PG 48 acc. to DIN 40430
Nominal width	NW 10 up to NW 56
Protection class	IP 65
Temperature range	Depending on the used conduit -40°C up to +125°C



Approvals:

Reference standards:

DIN EN 61386-23

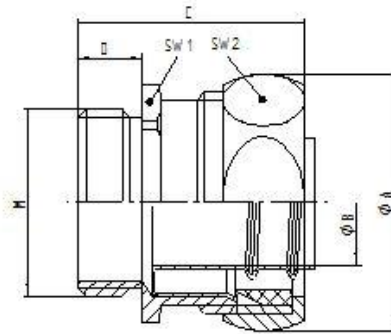
Suitable Conduits:

SILVYN® AS-P

For more information please see our current catalogue. Please do not hesitate to contact our laboratory if there are any questions regarding resistance against aggressive agents and special oil.

Creator: MAU1 /PDP Released: DAMU1/PDP	Document: DB55502621EN Version: 00	Page 1 of 2
---	---------------------------------------	-------------

55502621	DATA SHEET	
Valid from: 07.03.2019	SILVYN® US-M AS-P / SILVYN® US AS-P	



Dimension table:

Part No.	Thread	NW	Length C mm	Thread length D mm	Outer Ø A mm	Inner Ø B mm	SW 1	SW 2
SILVYN® US-M AS-P								
5550 2621	M 10x1,5	10	31,0	10,0	19,0	6,0	15	17
5550 2622	M 12x1,5	14	33,0	10,0	23,0	8,5	19	21
5550 2623	M 16x1,5	17	33,0	10,0	27,0	11,5	23	25
5550 2624	M 20x1,5	21	33,0	10,0	31,0	15,5	27	29
5550 2625	M 25x1,5	27	41,0	11,0	39,0	20,5	34	36
5550 2626	M 32x1,5	36	43,0	13,0	48,0	27,5	43	45
5550 2627	M 40x1,5	45	43,0	13,0	57,0	35,0	52	54
5550 2628	M 50x1,5	56	49,0	14,0	70,0	45,0	63	66
5550 2629	M 63x1,5	56	49,0	14,0	74,0	47,5	70	70
SILVYN® US AS-P								
5550 2671	PG 7	10	28,0	7,0	19,0	6,0	15	17
5550 2672	PG 9	14	30,0	7,0	23,0	8,5	19	21
5550 2673	PG 11	17	30,0	7,0	27,0	11,5	23	25
5550 2674	PG 13,5	19	30,0	7,0	29,0	13,5	25	27
5550 2675	PG 16	21	30,0	7,0	31,0	15,5	27	29
5550 2676	PG 21	27	40,0	10,0	39,0	20,5	34	36
5550 2677	PG 29	36	40,0	10,0	48,0	27,5	43	45
5550 2678	PG 36	45	40,0	10,0	57,0	36,5	52	54
5550 2679	PG 48	56	45,0	10,0	70,0	47,5	63	66