
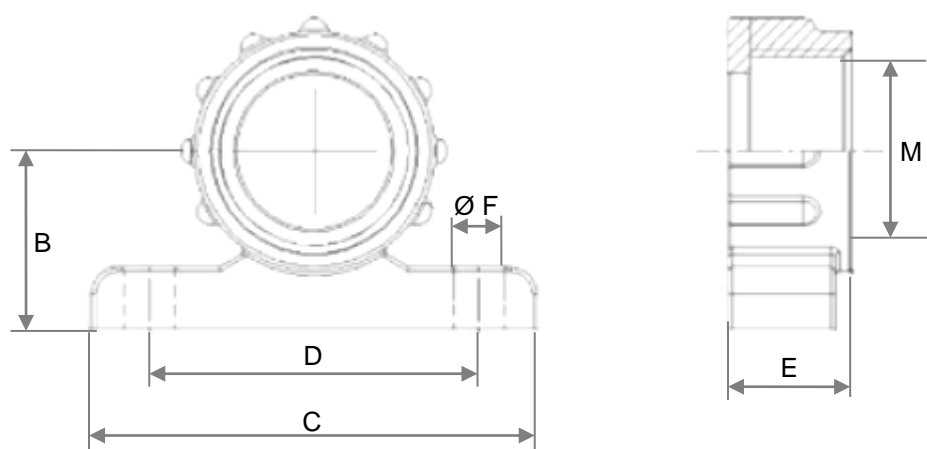


55000911	DATA SHEET	
Valid from: 03.07.2018	SILVYN® BW-K-M / BW-K	

SILVYN® BW-M / BW is a plastic fixing bracket with through bore for metric threads and PG-threads with two bore holes for fixing screws. The bracket can be used in areas where SILVYN® protection conduits cannot be inserted into a machine or an appliance.

- Material:** PP
- Features:** High mechanical properties
Corrosion resistant
- Temperature range:** -40°C up to +100°C



Dimension table:

Part No.	Thread M mm	Wide C mm	Length E mm	High B mm	Diameter F mm	Wide D mm
SILVYN® BW-K-M						
5500 0911	M 20x1,5	50,0	13,5	20,0	5,7	37,5
5500 0921	M 25x1,5	57,0	13,5	25,0	5,7	37,5
5500 0931	M 32x1,5	67,0	16,5	27,5	6,7	53,5
5500 0941	M 40x1,5	79,5	16,5	33,0	6,7	65,5
5500 0951	M 50x1,5	86,0	17,5	36,0	6,7	69,5
SILVYN® BW-K						
5500 0910	PG 9	40,0	14,0	14,5	5,7	29,0
5500 0920	PG 11	50,0	14,0	20,0	5,7	37,0
5500 0930	PG 13,5	50,0	14,0	20,0	5,7	37,0
5500 0940	PG 16	50,0	14,0	20,0	5,7	37,0
5500 0950	PG 21	57,0	14,0	25,0	5,7	43,0
5500 0960	PG 29	67,0	16,5	27,5	6,7	53,0
5500 0970	PG 36	80,0	16,5	33,0	6,7	65,0
5500 0990	PG 48	93,0	19,0	38,5	6,7	76,0

For more information please see our current catalogue. Please do not hesitate to contact our laboratory if there are any questions regarding resistance against aggressive agents and special oil.

Creator: M. Wegerer /PDP Released: DAMU1/PDP	Document: DB55000911EN Version: 02	Page 1 of 1
---	---------------------------------------	-------------