


6180 8168	DATA SHEET	
Valid from: 11.07.2018	SILVYN® US-MS-DR	

Brass thrust collar for the SILVYN® US-M and SILVYN®US gland, for the grounding of protection conduits.



Material:

Brass, blanc

Technical Features:

Nominal width

NW 10 up to NW 56

Temperature range

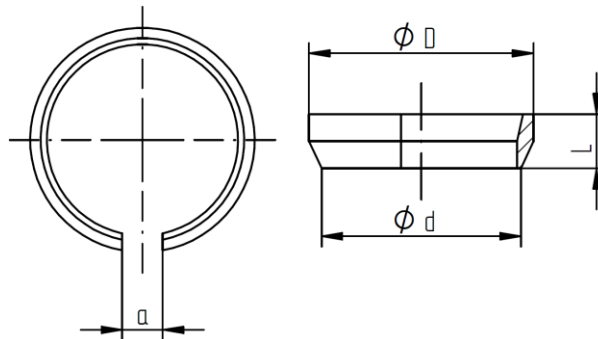
-40°C up to +250°C

Suitable glands:

SILVYN® US-M

SILVYN® US

Product drawing:



Dimension table:

Part No.	Nominal width NW	High L mm	Diameter mm		Split a mm	Weight kg/100
			ØD	Ød		
6180 8168	10	5,0	13,0	10,2	2,5	0,16
6180 8169	14	5,0	17,0	14,5	2,5	0,18
6180 8170	17	5,0	21,0	17,2	2,5	0,32
6180 8180	19	6,0	23,0	19,2	2,5	0,36
6180 8190	21	6,0	25,0	21,3	4,5	0,40
6180 8200	27	8,5	32,0	27,3	4,5	1,24
6180 8201	36	8,5	41,0	36,3	4,5	1,40
6180 8202	45	8,5	50,0	45,3	4,5	1,76
6180 8204	56	8,5	61,0	56,3	4,5	2,20

For more information please see our current catalogue. Please do not hesitate to contact our laboratory if there are any questions regarding resistance against aggressive agents and special oil.

Creator: MAU1/PDP Released: DAMU1/PDP	Document: DB6180 8168EN Version: 00	Page 1 of 1
--	--	-------------