


6180 3942	<b>DATA SHEET</b>	
Valid from: 23.04.2018	<b>SILVYN® SPLIT PA6F</b>	

SILVYN® SPLIT PA6F is a cable protection conduit made of polyamide 6 for retrofit application. The Protection conduit is self-extinguishing and is due to his mechanical features especially suitable for technical requirements, special for train applications and public transporting.



**Material:** Polyamide 6

**Technical features:**

Profile	Parallel corrugated
Nominal size	NW 7 up to NW 45
Temperature range	-45°C up to +120°C

**Additional features:**

Fire classification	V0 acc. to UL94
Fire hazardous level	HL3 (R22 and R23) acc. to EN 45545-2
Oxygen index	>35% acc. to EN ISO 4589-2
Self-extinguishing	acc. to UL 1696
Free of halogen und cadmium	
UV- and weathering resistant	

**Color:** Black




**Approbation:**

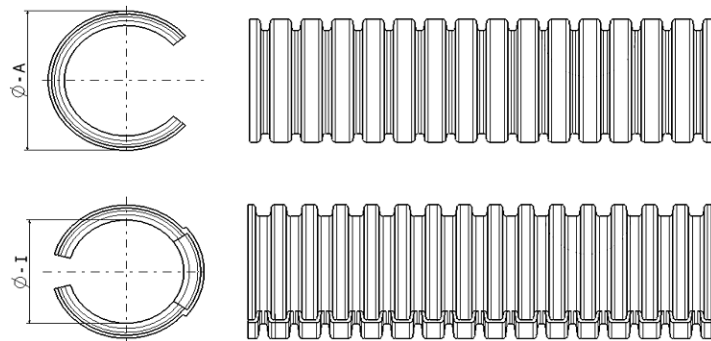
**Suitable glands:** FIPLOCK® ONE

For more information please see our current catalogue. Please do not hesitate to contact our laboratory if there are any questions regarding resistance against aggressive agents and special oil.

Creator: MAU1/PDP Released: DAMU1/PDP	Document: DB61803942EN Version: 00	Page 1 of 2
--	---------------------------------------	-------------

6180 3942	<b>DATA SHEET</b>	
Valid from: 23.04.2018	<b>SILVYN® SPLIT PA6F</b>	

**Product drawing:**



**Dimension table:**

Part. No	NW	Diameter mm		Max. Bending radius mm
		Ø-I	Ø-A	
6180 3942	7	6,3	10,0	25
6180 3943	10	8,8	13,5	30
6180 3944	11	11,0	16,1	30
6180 3945	14	13,2	18,7	35
6180 3946	16	16,0	21,5	40
6180 3947	20	20,2	25,7	50
6180 3948	23	23,9	31,3	60
6180 3949	29	27,3	35,5	110
6180 3950	37	32,5	43,2	135
6180 3951	45	43,1	54,2	140