


61802305	DATA SHEET	
Valid from: 03.07.2018	SILVYN® LTP-E	


SILVYN® LTP-E is a single part insert to cap the end of the conduit. It provides smooth bore exit and ensuring cables do not get damaged.

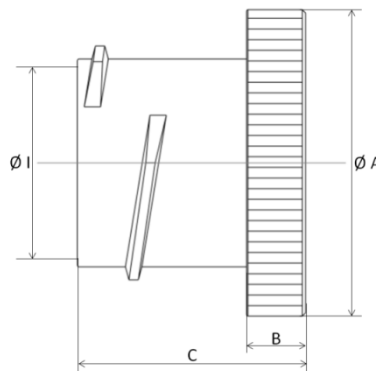


Material: Brass, Nickel plated

Features: High tensile strength
Oil resistant
Corrosion resistant

Temperature range: -50°C up to +135°C

Norm Reference: 
DIN EN 61386



Dimension table:

Part No.	Description	NW	Outer Diameter Ø D mm	Inner Diameter Ø I mm	Length B mm	Total Length C mm
6180 2300	SILVYN® LTP-E 10	10	13,8	5,6	3,6	16,3
6180 2301	SILVYN® LTP-E 12	12	16,1	8,6	3,6	16,3
6180 2302	SILVYN® LTP-E 16	16	20,0	10,7	4,5	16,5
6180 2303	SILVYN® LTP-E 20	20	22,9	14,5	4,5	17,0
6180 2305	SILVYN® LTP-E 25	25	28,7	18,0	6,1	21,5
6180 2306	SILVYN® LTP-E 32	32	35,0	24,6	6,6	24,0
6180 2307	SILVYN® LTP-E 40	40	45,0	32,7	8,1	28,0
6180 2304	SILVYN® LTP-E 50	50	51,0	37,7	8,1	30,0
6180 2308	SILVYN® LTP-E 63	63	63,0	49,0	10,1	35,0

Suitable Conduit:

SILVYN® LTP	SILVYN® HCX
SILVYN® HTDL	SILVYN® HFX
SILVYN® EF	SILVYN® FG
SILVYN® OR	

For more information please see our current catalogue. Please do not hesitate to contact our laboratory if there are any questions regarding resistance against aggressive agents and special oil.

Creator: M. Wegerer /PDP Released: DAMU1/PDP	Document: DB61802305EN Version: 02	Page 1 of 1
---	---------------------------------------	-------------