


73220852	<b>DATA SHEET</b>	
valid from: 18.11.2021	<b>ÖLFLEX® SPIRAL 540 P with angular plug</b>	

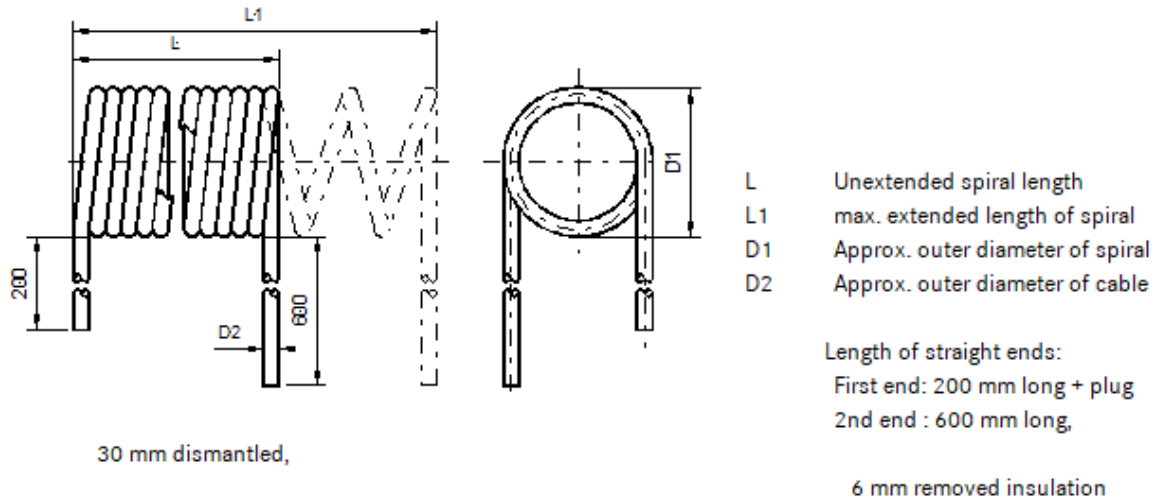
## Application

ÖLFLEX® SPIRAL 540 P cables are oil-resistant connecting cables with a core insulation of TPE and an outer sheath of Polyurethane for flexible use. They are among others designed for use in dry conditions and may only be installed considering the temperature range. The outer sheath is resistant against high mechanical load, particularly to abrasion and scouring, cut resistant, microbe-proof and hydrolysis resistant. ÖLFLEX® SPIRAL 540 P with angular plug cables are designed with a high strength of recoiling and the extension lengths up to 3.5 times of the original length.

Application range:

They can be used for connection of heaters, provided that there is no risk of contact with hot particles or of thermal radiation. They can also be used for mobile electrical devices and apparatus as well as medical equipment.

## Dimensions of spiral cable



30 mm dismantled,

## Dimensions of the plug

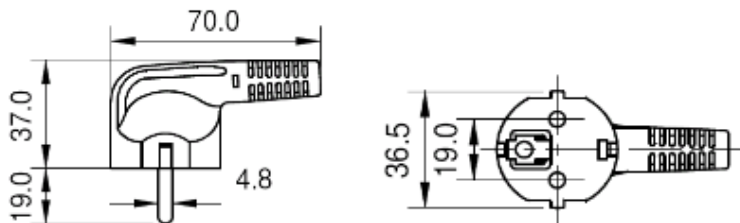


Illustration similar


First end: 200 mm long with injection moulded protection-contact-angle-plug with approval mark

2-pin with double ground conductor system  
 16 A, AC 250 V acc. to DIN VDE 0620-2-1: 2016-01  
 DIN 49441 R2, CEE 7, standard sheet VII  
 based on IEC 60884-1:2002 + A1:2006 + A2:2013

## Design

Design	based on standard EN 50525-2-21 bzw. VDE 0285-525-2-21 EN 50525-2-51 bzw. VDE 0285-525-2-51
Certification	The used uncoiled cable sold by the metre ÖLFLEX® 540 P has following VDE-registrations: U0/U: 300/500 V up to 1,0 mm <sup>2</sup> : < VDE-REG 6583 > U0/U: 450/750 V starting from 1,5 mm <sup>2</sup> : < VDE-REG 6584 >
Conductor	fine wire strands of tinned copper acc. to IEC 60228 resp. EN 60228, class 5
Insulation	Thermoplastic elastomer (TPE)
Core identification code	up to 5 cores coloured acc. VDE 0293-308 resp. HD 308 S2 with GN/YE ground conductor acc. To EN 50334

Creator: LABU / PDC	Document: DB73220852EN	Page 1 of 2
Released: ALTE / PDC	Version: 05	

73220852	<b>DATA SHEET</b>	
valid from: 18.11.2021	<b>ÖLFLEX® SPIRAL 540 P with angular plug</b>	

Outer sheath polyurethane compound TPU acc. to EN 50363-10-2  
colour: yellow, similar RAL 1016

### Electrical properties at 20 °C

Specific volume resistivity > 20 G Ω x cm  
Rated voltage U<sub>0</sub>: 250 V AC  
Test voltage Cable: 2000 V AC

### Mechanical and thermal properties

Temperature range for flexible applications: -30 °C up to +50 °C  
Flammability acc. to IEC 60332-1-2 resp. EN 60332-1-2 (cable)  
Oil resistance acc. to EN 50363-10-2 (cable)

**Tests** acc. to IEC 60811 resp. EN 60811, EN 50395, EN 50396

**General requirements** These cables are conform to the EU Directive 2014/35/EU (Low Voltage Directive)

**Environmental information** These cables meet the substance-specific requirements of the EU Directive 2011/65/EU (RoHS).

Creator: LABU / PDC	Document: DB73220852EN	Page 2 of 2
Released: ALTE / PDC	Version: 05	