


73000028	DATA SHEET	
Valid from: 18.09.2020	EPIC® POWER LS1 D6 5+PE SHORT	

Description

- Circular connectors for servomotors and power supply
- High power at smallest installation space
- Optimal solution for electric motors
- EMC-optimized design
- Safety use in field environment by high protection class



General Characteristics

Series	POWER LS 1
Version	Short, Cable connector for female contacts
Pin configuration	5+PE
Rated voltage (V)	630 V (2 mm Contacts)
Rated impulse voltage	6 kV (2 mm Contacts)
Rated current (A)	25 A/5+PE (2 mm Contacts)
Contact resistance	< 4 mOhm
Contacts	Gold plated brass
Number of contacts	5+PE
Termination methods	Crimp termination: 0.5 – 2,5 mm ² (2 mm contacts)
Protection	IP 68
Cycle of mechanical operation	500
Temperature range	-25°C to +125°C
Degree of soiling	3

Product Variations


Package unit = 20 pcs: Contacts must be ordered separately

Article- Number	Article	Contacts included	Cable clamping range [mm]	Pin configuration
Type LS1 D6 short, Cable connector, 6-pin for female contacts				
73000028	LS1 D6	6	8,5 - 11	5+PE
73000030	LS1 D6		8,5 - 11	5+PE
73000029	LS1 D6	6	10,5 - 15,5	5+PE
73000031	LS1 D6		10,5 - 15,5	5+PE
76123100	LS1 D6	6	7,5 - 15,5	5+PE
76123610	LS1 D6		7,5 - 15,5	5+PE

Materials and Surfaces

Housing	Zinc die-casting, nickel-plated, Brass, nickel-plated
Insert	PA
Seal	FPM
Contacts	Brass
Contact surface	Au

Creator: STKU3/PDP Released: IVSE1/PDP	Document: DB73000028EN Version: 05	Page 1 of 3
---	---------------------------------------	-------------

73000028	DATA SHEET	
Valid from: 18.09.2020	EPIC® POWER LS1 D6 5+PE SHORT	

Approvals

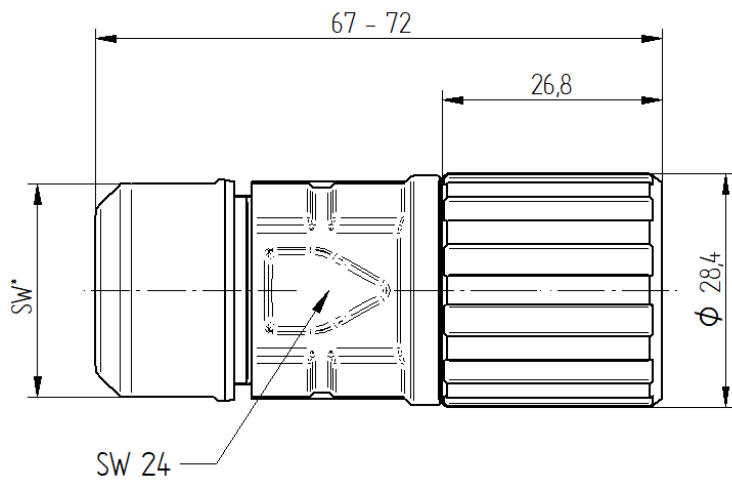
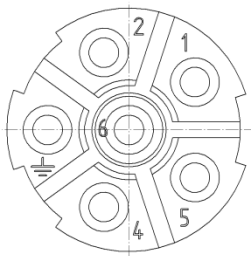
VDE-Approval, VDE-REG.-Nr. B025
 UL-File-Number E249137

Standard

Safety Standard IEC 61984, UL 2238, CSA 22.2 182.3



Technical Drawing



Article number	*Wrench size
73000028	26
73000030	26
73000029	26
73000031	26
76123100	27
76123610	27



Good chemical resistance



Corrosion-resistant



Industrial machinery and plant engineering




Maximum vibration protection



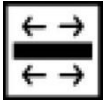
Mechanical resistance

Creator: STKU3/PDP Released: IVSE1/PDP	Document: DB73000028EN Version: 05	Page 2 of 3
---	---------------------------------------	-------------

73000028	DATA SHEET	
Valid from: 18.09.2020	EPIC® POWER LS1 D6 5+PE SHORT	



Assembly time



Optimum strain relief



Space requirement



Robust



Integrated SKINTOP® cable gland



Waterproof



Wind Energy



Variety of approval certifications

Info

Reduced length for cables which are easy to assemble

Application range

Plant engineering

Servo drives and servo assemblies

Note

Photographs are not to scale and do not represent detailed images of the respective products.

Creator: STKU3/PDP Released: IVSE1/PDP	Document: DB73000028EN Version: 05	Page 3 of 3
---	---------------------------------------	-------------