


70503000	<b>DATA SHEET</b>	
Valid from: 29.08.2022	<b>EPIC® H-A 32 AD</b>	

## Description

- The large, robust housing for two inserts of size 16.



## General Characteristics

Series	H-A 32
Version	Panel mount base with cover
Locking	Bolts for double lever
Protection (DIN EN 60529)	IP 65 (latched)
Temperature Range	-40°C to +100°C, short term up to +125°C

## Materials / Surfaces

Housing	Aluminium alloy, powder-coated, grey
Locking	Steel, zinc-plated
Sealing	NBR
Cover	Aluminium alloy, powder-coated, grey


## Standard

Safety Standard	IEC 61984
-----------------	-----------

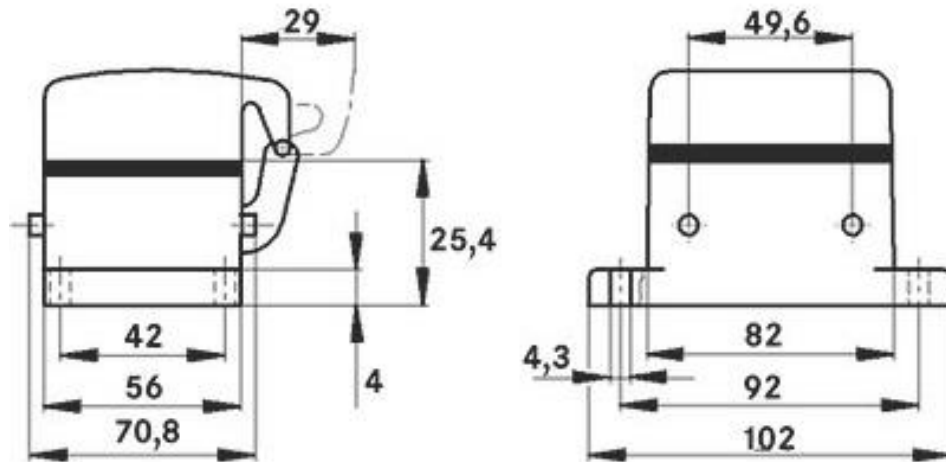
## Versions

Article number	Article description
70503000	EPIC® H-A 32 AD-BO

Creator: BEGE1/PDP Released: IVSE1/PDP	Document: DB70503000EN Version: 00	Page 1 of 2
---	---------------------------------------	-------------

70503000	<b>DATA SHEET</b>	
Valid from: 29.08.2022	EPIC® H-A 32 AD	

### Technical Drawings



Industrial machinery and plant engineering



Mechanical resistance



Robust



Waterproof

### Application range

Machine and equipment manufacturing, Control engineering

### Remark

Photographs are not to scale and do not represent detailed images of the respective products.

Creator: BEGE1/PDP Released: IVSE1/PDP	Document: DB70503000EN Version: 00	Page 2 of 2
---	---------------------------------------	-------------