

70250254	<b>DATA SHEET</b>	
Valid from: 18.09.2018	<b>EPIC® ULTRA PROTECTIVE COVER FOR H-B</b>	

## Description

Protective cover made of thermoplastics for H-B 6 housing  
For hoods



## Performance

Version	TG/TS
Bolts	2
Locking levers	2 snap-in hooks

## General Characteristics

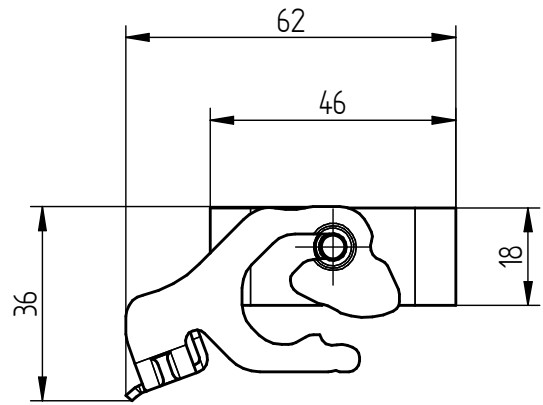
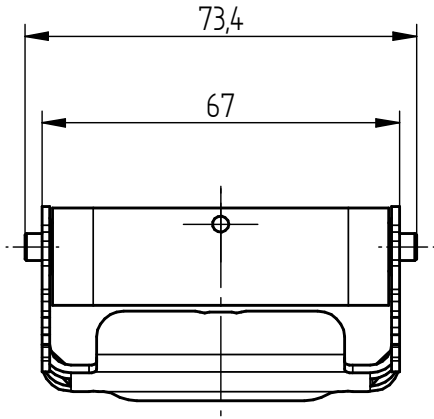
Series	ULTRA EPIC H-B 6
Locking	Bolt for longitudinal clamp
Protection	Latched with EPIC ULTRA housing IP 69
Temperature Range	-40°C to +100°C

## Materials

Protective cover	Plastic POM, blue
Bolts	Stainless steel
Longitudinal clamp	Stainless steel

Creator: MANA2/PDP Released: IVSE1/PDP	Document: DB70250254EN Version: 04	Page 1 of 2
---	---------------------------------------	-------------

70250254	<b>DATA SHEET</b>	
Valid from: 18.09.2018	<b>EPIC® ULTRA PROTECTIVE COVER FOR H-B</b>	



Corrosion-resistant



Robust



Water proof

### Remark

Photographs are not to scale and do not represent detailed images of the respective products.

Creator: MANA2/PDP Released: IVSE1/PDP	Document: DB70250254EN Version: 04	Page 2 of 2
---	---------------------------------------	-------------