


70054200	DATA SHEET	
Valid from: 17.09.2018	EPIC® H-B 10 TSH-RO	

Description

- The smallest housing with single and double lever.
- The right housing is available for every application.



General Characteristics

Series	H-B 10
Version	Hood PG21 / PG29 (Article 70054400)
Locking	Bolts with plastic rollers for single lever
Gland body	Yes
Cable entry	Side
Protection (DIN EN 60529)	IP 65 (latched)
Protection (NEMA 250, UL50E)	12 (latched)
Temperature Range	-40°C to +100°C, short term up to +125°C

Materials and Surfaces

Housing	Aluminium alloy, powder-coated, grey
Gland body	Brass, nickel-plated
Bolt with reels	Heat-treatable steel, zinc-plated / PA

Approvals

VDE-Approval, VDE-REG.-Nr.	B437
----------------------------	------

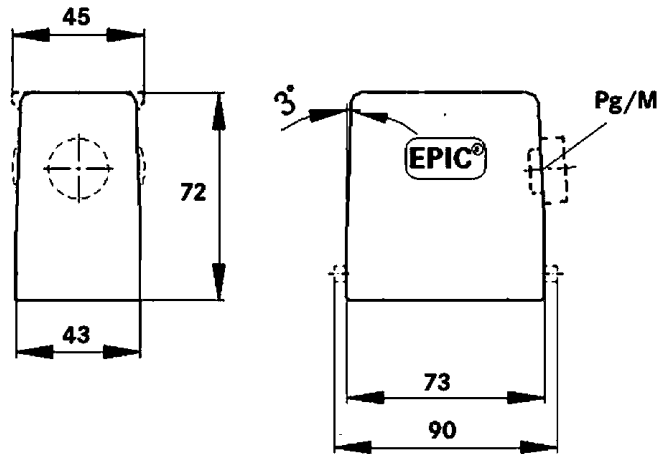
Standard

Safety Standard	IEC 61984
-----------------	-----------

Creator: MANA2/PDP Released: IVSE1/PDP	Document: DB70054200EN Version: 01	Page 1 of 2
---	---------------------------------------	-------------

70054200	DATA SHEET	
Valid from: 17.09.2018	EPIC® H-B 10 TSH-RO	

Technical Drawings



Automation



Industrial machinery and plant engineering



Mechanical resistance



Robust



Waterproof

Info

Universal, robust metal housings size H-B 10

Application range

Plant engineering
Light & sound technology
Plastics industry

Remark

Photographs are not to scale and do not represent detailed images of the respective products.

Creator: MANA2/PDP Released: IVSE1/PDP	Document: DB70054200EN Version: 01	Page 2 of 2
---	---------------------------------------	-------------