

DATA SHEET	CE9151
Distrib. plate 24xST RAL 7035 w. fastener	Valid from: 26.03.2018

Description

- Optical fiber distribution plate
- Suitable for optical fiber wall distribution CE9150



General characteristics

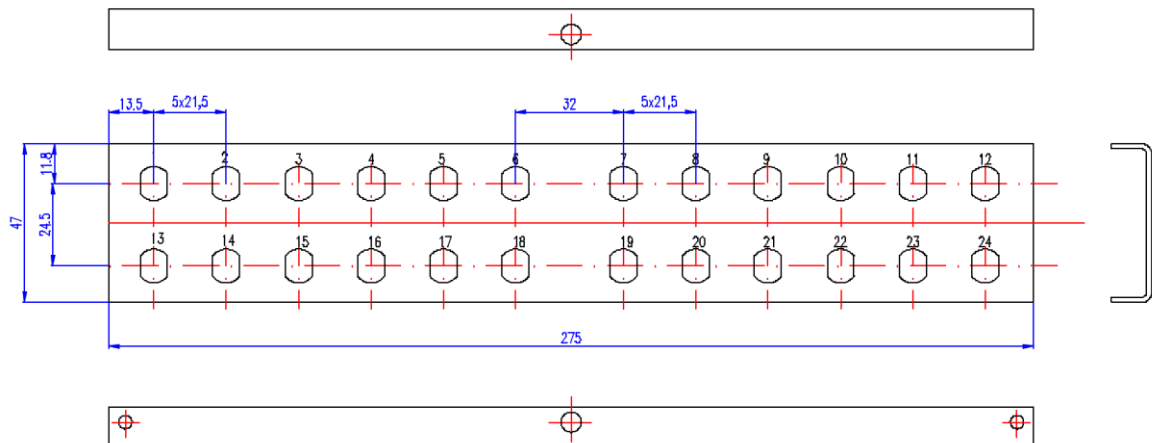
Colour RAL7035 (light grey)
Material 1.5 mm steel sheet

Variation

Article	Description	Cut-out
CE9151	Distrib. plate 24xST RAL 7035 w. fastener	24 x ST acc. IEC 61754-2
CE9152	distribution plate 24xSC Simpl. o. E2000 c	24 x SC-S acc. IEC 61754-4
CE9153	Dist. plate 12xSC-duplex RAL7035 w. fast	12 x SC-D acc. IEC 61754-4

Technical drawing

Dimensional drawing (example of CE9151)



Application range

Office, industrial machinery and plant engineering

Note

Photographs are not true to scale and do not represent detailed images of the respective products.