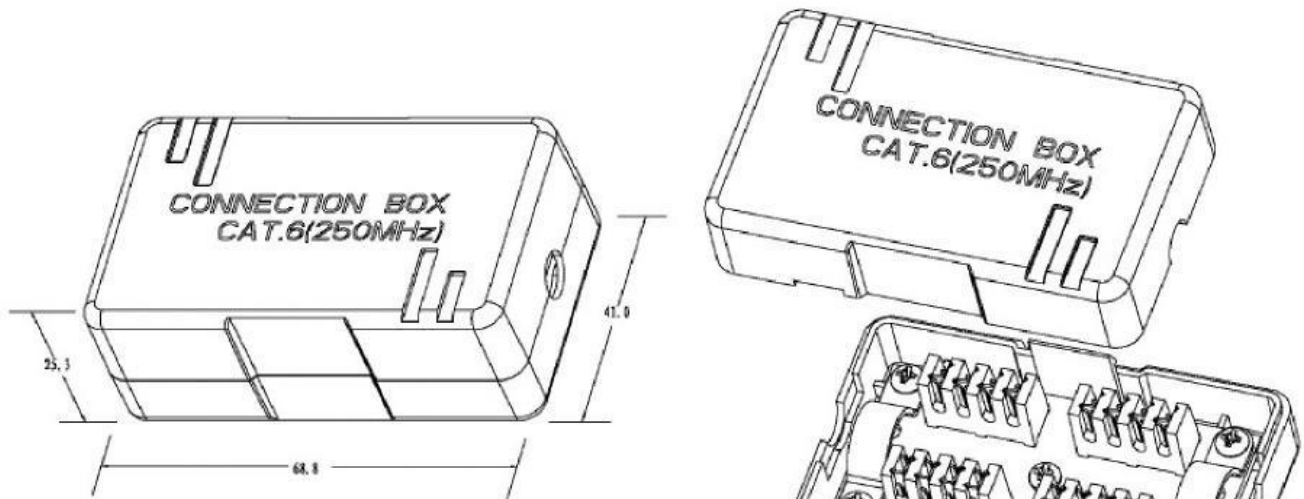


CE6382	DATA SHEET	
Valid from: 17.09.2018	CONNECTING ELEMENT f. Dat. Kabel CAT 6 Da	

CAT.6 CONNECTING MODULE



Materials:

Box Cover: Fireproof PC/ABS UL-94V0 (Black) /inside metalized
 Box Base: Fireproof PC/ABS UL-94V0 (Black) /inside metalized
 PCB : FR-4/1.6mm UL-94V0
 IDC Pin : Bronze & Tinned
 IDC Terminal: For 22-26 AWG Cable

Electrical Specifications:

Insulation Resistance: 500M ohms (min.)
 Contact Resistance: 20m ohms (max.)
 Current Rating : 1.5 Amps.
 Withstanding Voltage : 1000 VAC RMS @ 60Hz/ 1 min.

Accessory:

1. Screw-type Strain Relief (M3X12)
2. Cable Inlet (4Pcs)
3. With Adhesive Tapes For Fixing

Note

Photographs are not true to scale and do not represent detailed images of the respective products.

Creator: MOKO2/PDP Released: IVSE1/PDP	Document: DBCE6382EN Version: 02	Page 1 of 1
---	-------------------------------------	-------------

We reserve all rights according to DIN ISO 16016.

PD 0019/05_04.18EN