

| | | |
|---------------------------|------------------------------------|---|
| 79100200 | DATA SHEET |  |
| Valid from: 17.09.2018 | EPIC[®] H-B 16 TGH | |

Description

- The housing standard.
- Wide choice for all applications.



General Characteristics

| | |
|------------------------------|---|
| Series | H-B 16 |
| Version | Hood M25 / M32 (Article 79100400) / M40 (Article 79100800) |
| Locking | Bolts for double lever |
| Cable gland | No |
| Cable entry | Straight |
| Protection (DIN EN 60529) | IP 65 (latched) |
| Protection (NEMA 250, UL50E) | 4, 12 (latched) |
| Temperature Range | -40°C to +100°C, short term up to +125°C |

Materials and Surfaces

| | |
|---------|--------------------------------------|
| Housing | Aluminium alloy, powder-coated, grey |
| Bolt | Heat-treatable steel, zinc-plated |

Approvals

| | |
|----------------------------|------|
| VDE-Approval, VDE-REG.-Nr. | B437 |
|----------------------------|------|

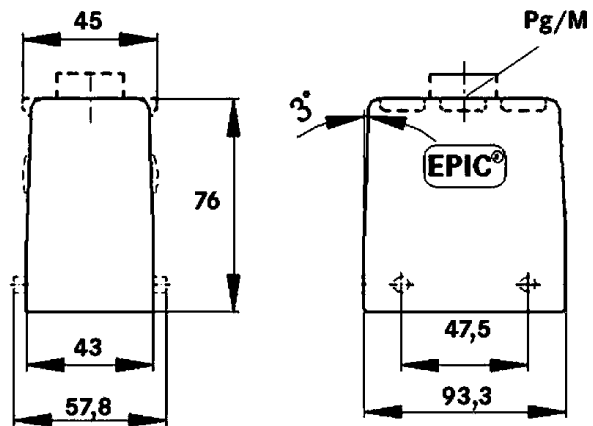
Standard

| | |
|-----------------|-----------|
| Safety Standard | IEC 61984 |
|-----------------|-----------|

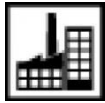
| | | |
|---|---------------------------------------|-------------|
| Creator: MANA2/PDP Released: IVSE1/PDP | Document: DB79100200EN Version: 01 | Page 1 of 2 |
|---|---------------------------------------|-------------|

| | | |
|---------------------------|-------------------------|---|
| 79100200 | DATA SHEET |  |
| Valid from: 17.09.2018 | EPIC® H-B 16 TGH | |

Technical Drawings



Automation



Industrial machinery and plant engineering



Mechanical resistance



Robust



Waterproof

Info

Universal, robust metal housings size H-B 16

Application range

Plant engineering
Light & sound technology
Plastics industry

Remark

Photographs are not to scale and do not represent detailed images of the respective products.

| | | |
|---|---------------------------------------|-------------|
| Creator: MANA2/PDP Released: IVSE1/PDP | Document: DB79100200EN Version: 01 | Page 2 of 2 |
|---|---------------------------------------|-------------|