


|                           |                             |   |
|---------------------------|-----------------------------|---|
| 19038900                  | <b>DATA SHEET</b>           |  |
| Valid from:<br>17.09.2018 | <b>EPIC® H-B 10 SDRL-LB</b> |   |

## Description

- The smallest housing with single and double lever.
- The right housing is available for every application.



## General Characteristics

|                              |   |
|------------------------------|---|
| Series                       | H-B 10  |
| Version                      | Surface mount base M20 / M25 (Article 79065600) |
| Protection cover             | Yes   |
| Locking                      | Single lever                                    |
| Cable entry                  | 2   |
| Protection (DIN EN 60529)    | IP 65 (latched)                                 |
| Protection (NEMA 250, UL50E) | 12 (latched)                                    |
| Temperature Range            | -40°C to +100°C, short term up to +125°C        |

## Materials and Surfaces

|              |                                      |
|--------------|--------------------------------------|
| Housing      | Aluminium alloy, powder-coated, grey |
| Cover        | Zinc alloy, powder-coated, grey      |
| Bolt         | Heat-treatable steel, zinc-plated    |
| Lever        | Steel, zinc-plated                   |
| Profile Seal | NBR                                  |


## Approvals

|                            |      |
|----------------------------|------|
| VDE-Approval, VDE-REG.-Nr. | B437 |
|----------------------------|------|

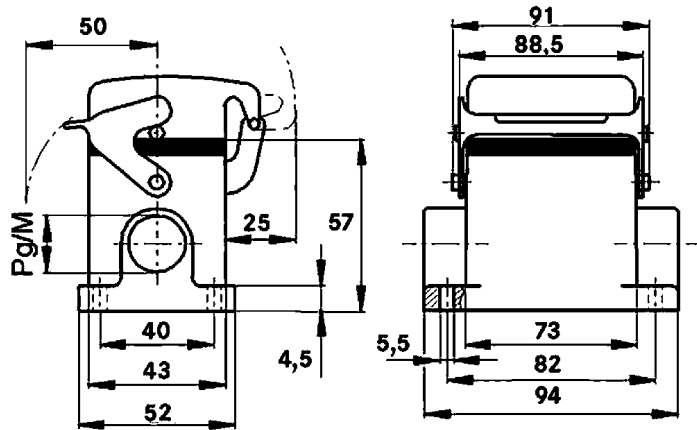
## Standard

|                 |           |
|-----------------|-----------|
| Safety Standard | IEC 61984 |
|-----------------|-----------|

|   |                                       |             |
|---|---------------------------------------|-------------|
| Creator: MANA2/PDP<br>Released: IVSE1/PDP | Document: DB19038900EN<br>Version: 01 | Page 1 of 2 |
|---|---------------------------------------|-------------|

|                           |                      |   |
|---------------------------|----------------------|---|
| 19038900                  | <b>DATA SHEET</b>    |  |
| Valid from:<br>17.09.2018 | EPIC® H-B 10 SDRL-LB |   |

## Technical Drawings



Automation



Industrial machinery and plant engineering



Mechanical resistance



Robust



Waterproof

### Info

Universal, robust metal housings size H-B 10

### Application range

Plant engineering  
Light & sound technology  
Plastics industry

### Remark

Photographs are not to scale and do not represent detailed images of the respective products.

|   |                                       |             |
|---|---------------------------------------|-------------|
| Creator: MANA2/PDP<br>Released: IVSE1/PDP | Document: DB19038900EN<br>Version: 01 | Page 2 of 2 |
|---|---------------------------------------|-------------|