


79020200	DATA SHEET	
Valid from: 17.09.2018	EPIC® H-B 6 TGH	

Description

- The smallest housing out of the H-B series.
- For inserts with high properties.



General Characteristics

Series	H-B 6
Version	Hood M25 / M32 (Article 79020400)
Locking	Bolt for single lever
Gland body	No
Cable entry	Straight
Protection (DIN EN 60529)	IP 65 (latched)
Protection (NEMA 250, UL50E)	4, 12 (latched)
Temperature Range	-40°C to +100°C, short term up to +125°C

Materials and Surfaces

Housing	Aluminium alloy, powder-coated, grey
Lever	Steel, zinc-plated
Sealing	NBR


Approvals

VDE-Approval, VDE-REG.-Nr.	B437
----------------------------	------

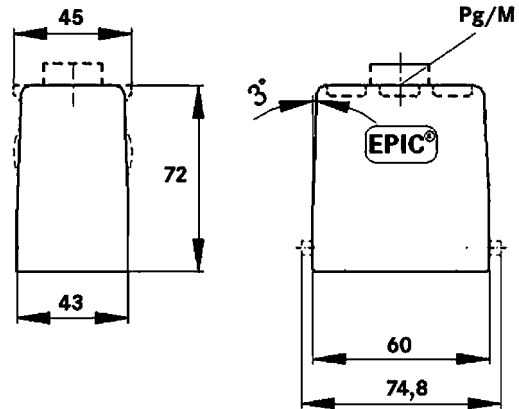
Standard

Safety Standard	IEC 61984
-----------------	-----------

Creator: MANA2/PDP Released: IVSE1/PDP	Document: DB79020200EN Version: 01	Page 1 of 2
---	---------------------------------------	-------------

79020200	DATA SHEET	
Valid from: 17.09.2018	EPIC® H-B 6 TGH	

Technical Drawings



Automation



Industrial machinery and plant engineering



Mechanical resistance



Robust



Waterproof

Info

Universal, robust metal housings size H-B 6

Application range

Plant engineering
Control engineering
Plastics industry

Remark

Photographs are not to scale and do not represent detailed images of the respective products.

Creator: MANA2/PDP Released: IVSE1/PDP	Document: DB79020200EN Version: 01	Page 2 of 2
---	---------------------------------------	-------------