


73000008	DATA SHEET	
Valid from: 18.09.2020	EPIC® POWER LS1 F6 3+PE+4	

Description

- Circular connectors for servomotors and power supply
- High power at smallest installation space
- Optimal solution for electric motors
- EMC-optimised design
- Safety use in field environment by high protection class



General Characteristics

Series	POWER LS 1
Version	Cable coupler for male contacts
Pin configuration	3+PE+4
Rated voltage (V)	630 V (2mm Contacts) 250 V (1mm Contacts)
Rated impulse voltage	6 kV (2mm Contacts) 4 kV (1mm Contacts)
Rated current (A)	26 A/3+PE+4 (2mm Contacts) 7 A (1mm Contacts)
Contact resistance	< 4 mOhm
Contacts	Gold plated brass
Number of contacts	3+PE+4
Termination methods	Crimp termination: 0.5 - 2.5 mm ² (2 mm contacts) Crimp termination: 4.0 mm ² (2 mm contacts only 44420093) Crimp termination: 0.14 - 1.0 mm ² (1 mm contacts)
Protection	IP 68
Cycle of mechanical operation	500
Temperature range	-25°C to +125°C
Degree of soiling	3

Product Variations


Package unit = 20 pcs: Contacts must be ordered separately

Article- Number	Article	Contacts included	Cable clamping range mm	Pin configuration
Type LS1 F6, Cable coupler, 8-pin for male contacts				
73000008	LS1 F6	8	8,5 - 11	3+PE+4
73000010	LS1 F6		8,5 - 11	3+PE+4
73000009	LS1 F6	8	10,5 - 15,5	3+PE+4
73000011	LS1 F6		10,5 - 15,5	3+PE+4
76134000	LS1 F6	8	7,5 - 15,5	3+PE+4
76134510	LS1 F6		7,5 - 15,5	3+PE+4
44420093	LS1 F6 with 2mm contact for 4mm ² termination	8	14 - 17	3+PE+4
44420092	LS1 F6		14 - 17	3+PE+4

Creator: STKU3/PDP Released: IVSE1/PDP	Document: DB73000008EN Version: 05	Page 1 of 3
---	---------------------------------------	-------------

We reserve all rights according to DIN ISO 16016.

PD 0019/05_04.18EN

73000008	DATA SHEET	
Valid from: 18.09.2020	EPIC® POWER LS1 F6 3+PE+4	

Materials and Surfaces

Housing Nickel-plated zinc die-casting, nickel-plated brass
 Insert PA
 Seal FPM

Approvals

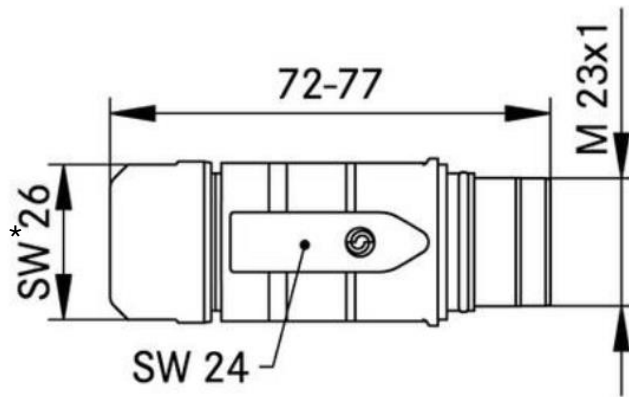
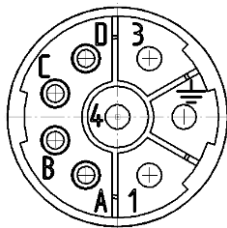
VDE-Approval, VDE-REG.-Nr. B025
 UL-File-Number E249137

Standard

Safety Standard IEC 61984, UL 2238, CSA 22.2 182.3



Technical Drawing



Article number	*Wrench size
73000008	26
73000010	26
73000009	26
73000011	26
76134000	27
76134510	27
44420093	27
44420092	27



Good chemical resistance



Corrosion-resistant




Industrial machinery and plant engineering



Maximum vibration protection

Creator: STKU3/PDP Released: IVSE1/PDP	Document: DB73000008EN Version: 05	Page 2 of 3
---	---------------------------------------	-------------

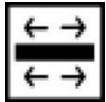
73000008	DATA SHEET	
Valid from: 18.09.2020	EPIC® POWER LS1 F6 3+PE+4	



Mechanical resistance



Assembly time



Optimum strain relief



Space requirement



Robust



Integrated SKINTOP® cable gland



Waterproof



Wind Energy



Variety of approval certifications

Application range

Plant engineering

Servo drives and servo assemblies

Remark

Photographs are not to scale and do not represent detailed images of the respective products.

Creator: STKU3/PDP Released: IVSE1/PDP	Document: DB73000008EN Version: 05	Page 3 of 3
---	---------------------------------------	-------------