


73000016	DATA SHEET	
Valid from: 18.09.2020	EPIC® POWER LS1 F7 3+PE+4	

Description

- Circular connectors for servomotors and power supply
- High power at smallest installation space
- Optimal solution for electric motors
- EMC-optimised design
- Safety use in field environment by high protection class



General Characteristics

Series	POWER LS 1
Version	Cable coupler with mounting flange for male contacts
Pin configuration	3+PE+4
Rated voltage (V)	630 V (2mm Contacts) 250 V (1mm Contacts)
Rated impulse voltage	6 kV (2mm Contacts) 4 kV (1mm Contacts)
Rated current (A)	26 A/3+PE+4 (2mm Contacts) 7 A (1mm Contacts)
Contact resistance	< 4 mOhm
Contacts	Gold plated brass
Number of contacts	3+PE+4
Termination methods	Crimp termination: 0.5 - 2.5 mm ² (2 mm contacts) Crimp termination: 0.14 - 1.0 mm ² (1 mm contacts)
Protection	IP 68
Cycle of mechanical operation	500
Temperature range	-25°C to +125°C
Degree of soiling	3

Product Variations


Package unit = 20 pcs: Contacts must be ordered separately

Article- Number	Article	Contacts included	Cable clamping range [mm]	Fastening type	Pin configuration
Type LS1 F7, 8-pin, for male contacts					
73000016	LS1 F7	8	8,5 - 11	Ø3,2mm (4x), M25x1,5 (with nut)	3+PE+4
73000017	LS1 F7	8	10,5 - 15,5	Ø3,2mm (4x), M25x1,5 (with nut)	3+PE+4
76144000	LS1 F7	8	7,5 - 15,5	Ø3,2mm (4x), M25x1,5 (with nut)	3+PE+4
76144510	LS1 F7		7,5 - 15,5	Ø3,2mm (4x), M25x1,5 (with nut)	3+PE+4

Creator: STKU3/PDP Released: IVSE1/PDP	Document: DB73000016EN Version: 04	Page 1 of 3
-------------------------------------------	---------------------------------------	-------------

We reserve all rights according to DIN ISO 16016.

PD 0019/05_04.18EN

73000016	DATA SHEET	
Valid from: 18.09.2020	EPIC® POWER LS1 F7 3+PE+4	

Materials and Surfaces

Housing	Nickel-plated zinc die-casting, nickel-plated brass
Insert	PA
Seal	FPM

Approvals

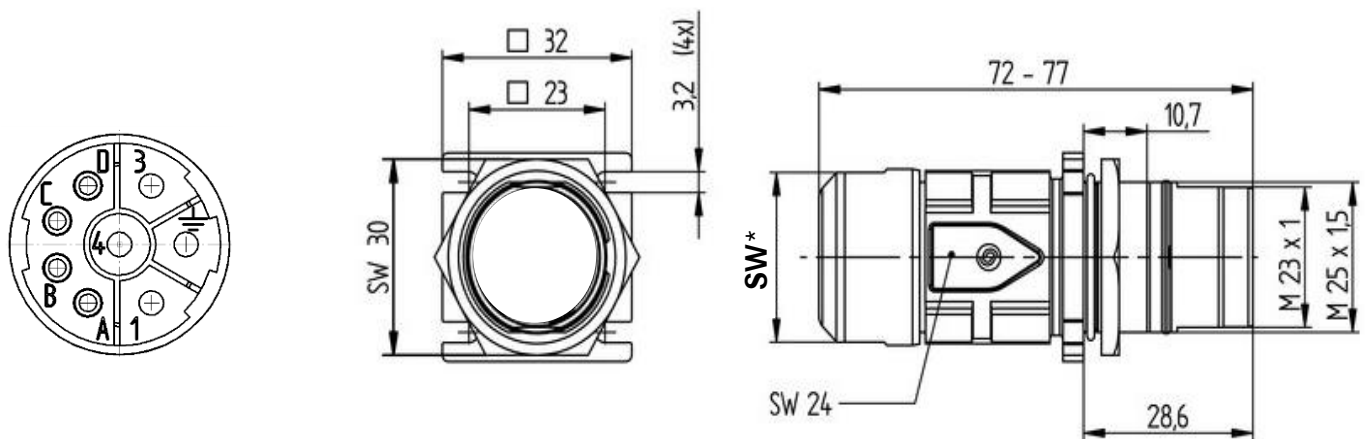
VDE-Approval, VDE-REG.-Nr.	B025
UL-File-Number	E249137

Standard

Safety Standard	IEC 61984, UL 2238, CSA 22.2 182.3
-----------------	------------------------------------



Technical Drawings



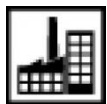
Article Number	*Wrench size
73000016	26
73000017	26
76144000	27
76144510	27



Good chemical resistance




Corrosion-resistant



Industrial machinery and plant engineering

Creator: STKU3/PDP Released: IVSE1/PDP	Document: DB73000016EN Version: 04	Page 2 of 3
-------------------------------------------	---------------------------------------	-------------

73000016	DATA SHEET	
Valid from: 18.09.2020	EPIC® POWER LS1 F7 3+PE+4	



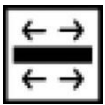
Maximum vibration protection



Mechanical resistance



Assembly time



Optimum strain relief



Space requirement



Robust



Integrated SKINTOP® cable gland



Waterproof



Wind Energy



Variety of approval certifications

Info

For fast and safe wall mounting of a cable extension

Application range

Plant engineering

Servo drives and servo assemblies

Remark

Photographs are not to scale and do not represent detailed images of the respective products.

Creator: STKU3/PDP Released: IVSE1/PDP	Document: DB73000016EN Version: 04	Page 3 of 3
-------------------------------------------	---------------------------------------	-------------